

# HITACHI

## SERVICE MANUAL

TK

No.9211E

# HTD-K160(S)



SPECIFICATIONS AND PARTS ARE SUBJECT TO CHANGE FOR IMPROVEMENT

## DVD DIGITAL THEATER SYSTEM

December 2002

Digital Media Division, Tokai

# CONTENTS

|   |  |
|---|--|
| <p><b>1 GENERAL INFORMATION</b> ..... 1-1</p> <p>1-1 SPECIFICATIONS ..... 1-1</p> <p>1-2 CONTROLLING VERSION OF FIRMWARE ..... 1-2</p> <p>1-3 REPAIR INSTRUCTIONS ..... 1-3</p> <p><b>2 EXPLODED VIEW</b> ..... 2-1</p> <p>2-1 MAIN UNIT SECTION ..... 2-1</p> <p>2-2 SUBWOOFER SECTION ..... 2-2</p> <p><b>3 REPLACEMENT PARTS LIST</b> ..... 3-1</p> <p>3-1 MECHANICAL PARTS LIST ..... 3-1</p> <p>3-1-1 MAIN UNIT SECTION ..... 3-1</p> <p>3-1-2 SUBWOOFER SECTION ..... 3-1</p> <p>3-2 ELECTRICAL PARTS LIST ..... 3-2</p> <p>3-2-1 MAIN UNIT SECTION ..... 3-2</p> <p>TUNER ..... 3-2</p> <p>RGB ..... 3-2</p> <p>KEY PANEL ..... 3-3</p> <p>POWER ..... 3-4</p> <p>MAIN ..... 3-5</p> <p>3-2-2 SUBWOOFER SECTION ..... 3-8</p> <p>AMP &amp; JACK ..... 3-8</p> <p>POWER ..... 3-8</p> | <p><b>SCHEMATIC, CIRCUIT BOARD AND BLOCK DIAGRAMS</b> ..... 1</p> <p>1 WIRING DIAGRAMS ..... 1</p> <p>1-1 MAIN UNIT SECTION ..... 1</p> <p>1-2 SUBWOOFER SECTION ..... 2</p> <p>2 SCHEMATIC DIAGRAMS ..... 3</p> <p>2-1 MAIN UNIT SECTION ..... 3</p> <p>TUNER ..... 3</p> <p>RGB ..... 4</p> <p>KEY PANEL, PHONE JACK &amp; POWER SW ..... 5</p> <p>POWER ..... 6</p> <p>MAIN ..... 7</p> <p>2-2 SUBWOOFER SECTION ..... 11</p> <p>AMP &amp; JACK ..... 11</p> <p>POWER ..... 12</p> <p>3 IC BLOCK DIAGRAMS ..... 13</p> <p>4 CIRCUIT BOARD DIAGRAMS ..... 18</p> <p>4-1 MAIN UNIT SECTION ..... 18</p> <p>TUNER ..... 18</p> <p>RGB ..... 20</p> <p>KEY PANEL, PHONE JACK &amp; POWER SW ..... 21</p> <p>POWER ..... 22</p> <p>MAIN ..... 23</p> <p>4-2 SUBWOOFER SECTION ..... 25</p> <p>AMP &amp; JACK ..... 25</p> <p>POWER ..... 26</p> <p>5 BLOCK DIAGRAMS ..... 27</p> <p>5-1 MAIN UNIT SECTION ..... 27</p> <p>5-2 SUBWOOFER SECTION ..... 28</p> |
|---|--|

## PRODUCT SAFETY NOTICE

Many electrical and mechanical parts have special safety-related characteristics. These are often not evident from visual inspection nor can the protection afforded by them necessarily be obtained by using replacement components rated for a higher voltage, wattage, etc. Replacement parts which have these special safety characteristics are identified in this Service Manual. Electrical components having such features are identified by marking with a on the schematics and the parts list in this Service Manual. The use of a substitute replacement component which does not have the same safety characteristics as the HITACHI recommended replacement one, shown in the parts list in this Service Manual, may create shock, fire, or other hazards. Product safety is continuously under review and new instructions are issued from time to time. For the latest information, always consult the current HITACHI Service Manual. A subscription to, or additional copies for, HITACHI Service Manual may be obtained at a nominal charge from HITACHI SALES CORPORATION.

## LASER RADIATION

**CLASS 1  
LASER PRODUCT**

## 1-1 SPECIFICATIONS

## ■ MAIN UNIT

## DVD Player

Pickup Semiconductor laser, Wavelength 650 nm  
 Signal system NTSC / PAL  
 Video signal horizontal resolution 480 lines (DVD)  
 Video signal-to-noise ratio 50 dB (DVD)  
 Audio signal-to-noise ratio 60 dB  
 Total harmonic distortion 0.05%  
 Dynamic range DVD : 80 dB ; CD: 80 dB

## FM Tuner

System PLL quartz-locked digital synthesizer system  
 Tuning range 87.50 ~ 108.00 MHz (50 kHz step)  
 Antenna FM pigtail antenna  
 Antenna terminals 75 ohms, unbalanced  
 Intermediate frequency 10.7 MHz

## AM Tuner

System PLL quartz-locked digital synthesizer system  
 Tuning range 522~1620 kHz (9 kHz step)  
 Antenna AM Loop antenna

## Video outputs

CVBS Video 1 Vp-p 75 ohms  
 S-video Y: 1 Vp-p 75 ohms  
     C: PAL 0.3 Vp-p 75 ohms / NTSC 0.286 Vp-p 75 ohms  
 Component video out Y: 1 Vp-p 75 ohms  
     Cb/Cr: NTSC 0.7 Vp-p 75 ohms / PAL 0.698 Vp-p 75 ohms

## Audio line outputs

Audio L/R 1 Vrms, 1k ohms  
 Subwoofer 1.2Vrms maximum (adjustable), 1k ohms  
 Coaxial out 1 Vp-p 75 ohms

## Audio power outputs

Stereo mode 50 W + 50 W (8 ohms at 1 kHz, THD 10%)  
 Surround mode Front: 50 W + 50 W (8 ohms at 1 kHz, THD 10%)  
                   Center: 50 W (8 ohms at 1 kHz, THD 10%)  
                   Rear: 50 W + 50 W (8 ohms at 1 kHz, THD 10%)  
 Phones Headphones jack(stereo 3.54mm)

## General (main unit)

Power requirements AC 220 - 240 V, 50/60 Hz  
 Power consumption 160 W  
 Dimensions W 435 x H 59 x D 345 mm  
 Weight 4.8 kg

## ■ SPEAKERS

## Active Subwoofer

Output power : 100 W (4 ohms at 55Hz, THD 10%)  
 Speaker system : Bass reflex  
 Power requirements : AC 220 - 240 V, 50/60 Hz  
 Power consumption : 165 W  
 Speaker unit : 8 inches  
 Rated impedance : 4 ohms  
 Dimensions : W 200 x H 360 x D 345 mm  
 Weight : 9.8 kg

## Front / Center / Rear speakers

Power: 50 W maximum  
 Speaker system: Bass reflex  
 Speaker unit: 3 inches, cone type: paper  
 Rated impedance: 8 ohms  
 Dimensions: W 90 x H 150 x D 110 mm  
 Weight: 0.64 kg (rear speaker)  
       0.82 kg (front , center speaker)

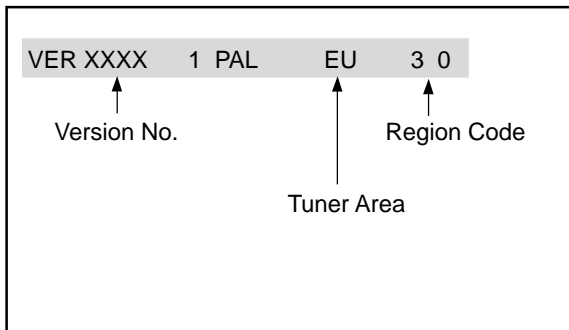
## 1-2 CONTROLLING VERSION OF FIRMWARE

The firmware is regularly modified as required to improve the performance.

Check to see whether the customer problem can be solved by upgrading the firmware : If it can, do so.

<Procedure for checking the version of firmware>

- 1) Open the tray with power on.
- 2) While holding down the "ADJ/VOL (+)" key on remote control, press the "Zoom" key.
- 3) The version of firmware will appear at the top left of screen. (The display will disappear in approx. 5 seconds.)

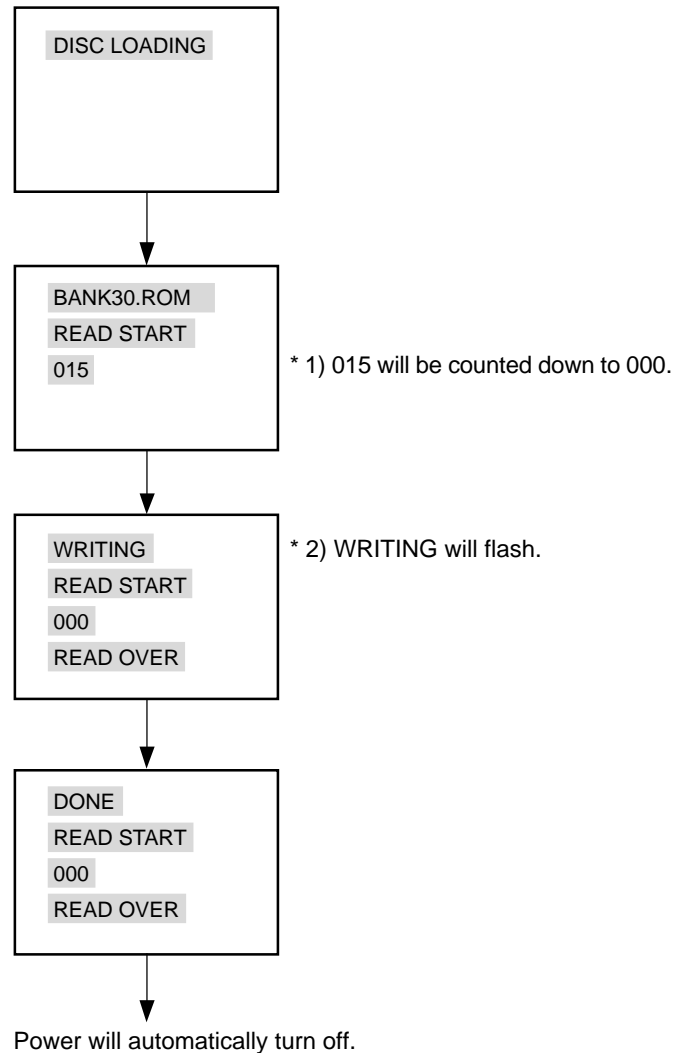


<Procedure for rewriting firmware>

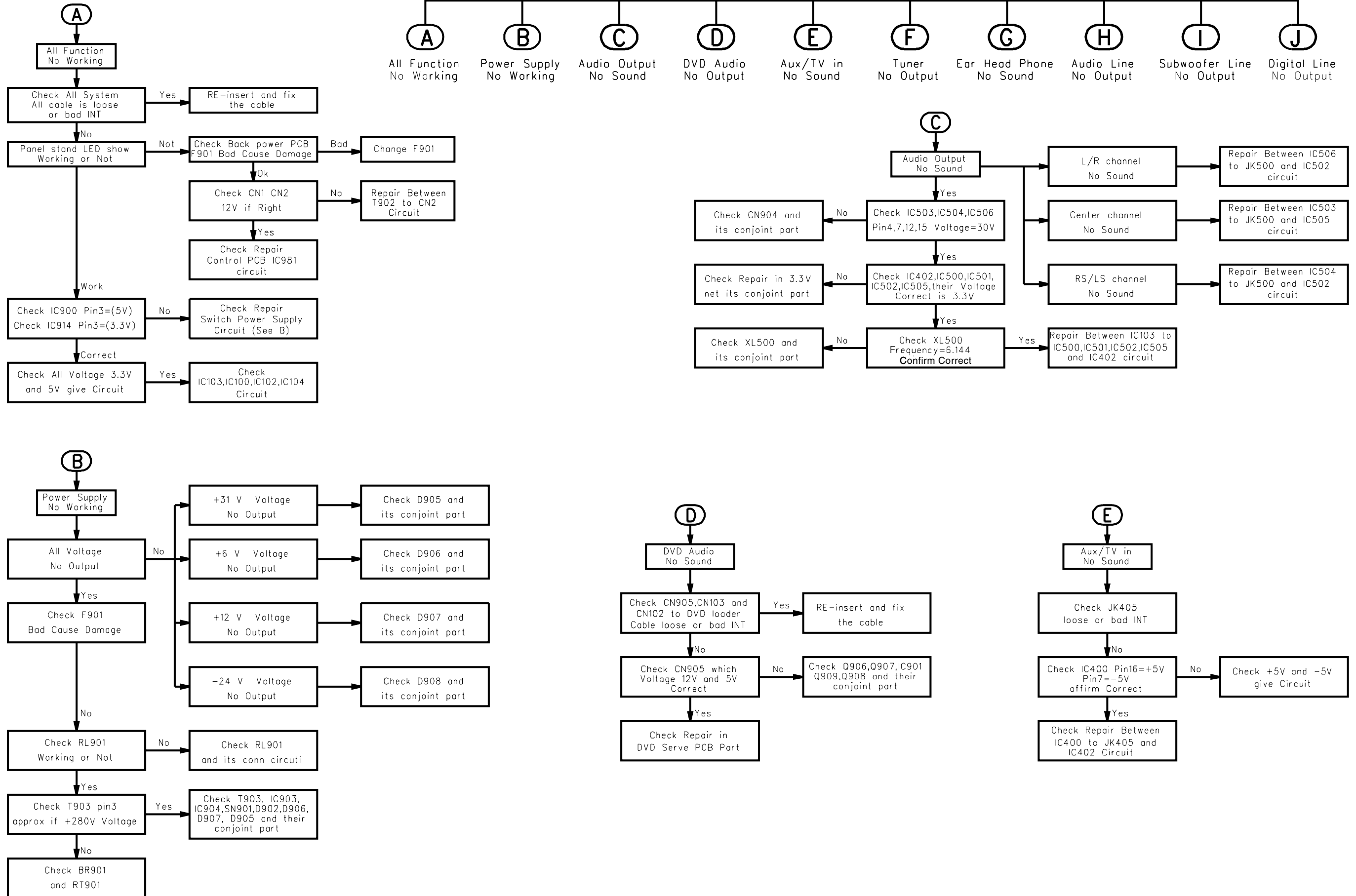
- 1) Turn power on.
- 2) Place the upgrade CD-R on tray, and press the "OPEN/CLOSE" or "PLAY" key.
- 3) Messages will appear at the top left of screen in the order shown below ("MP3 STOP" will appear in the display).
- 4) When rewrite of the firmware is complete, the system will automatically turn off.
- 5) Unplug the power cord and then plug it in again.
- 6) Turn power on, and press the "OPEN/CLOSE" key while "LOADING" is shown in the display to remove the upgrade CD-R (if the CD-R is left in the tray, rewrite of the firmware will restart).
- 7) Check the version of firmware.  
Caution: Be sure not to unplug the power cord during the rewrite operation.

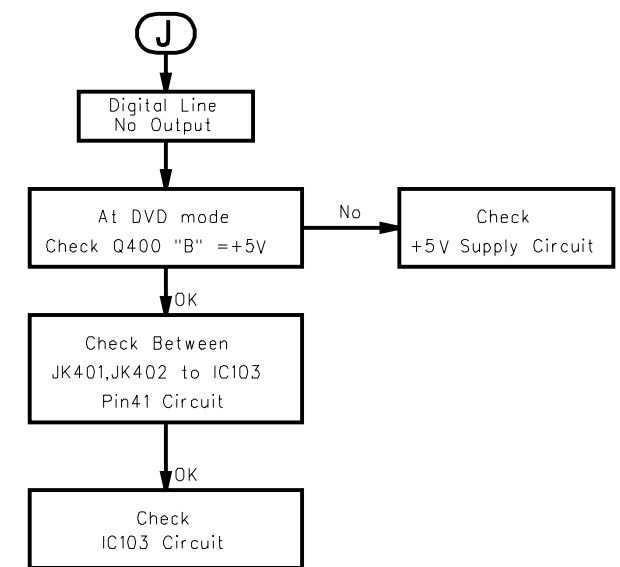
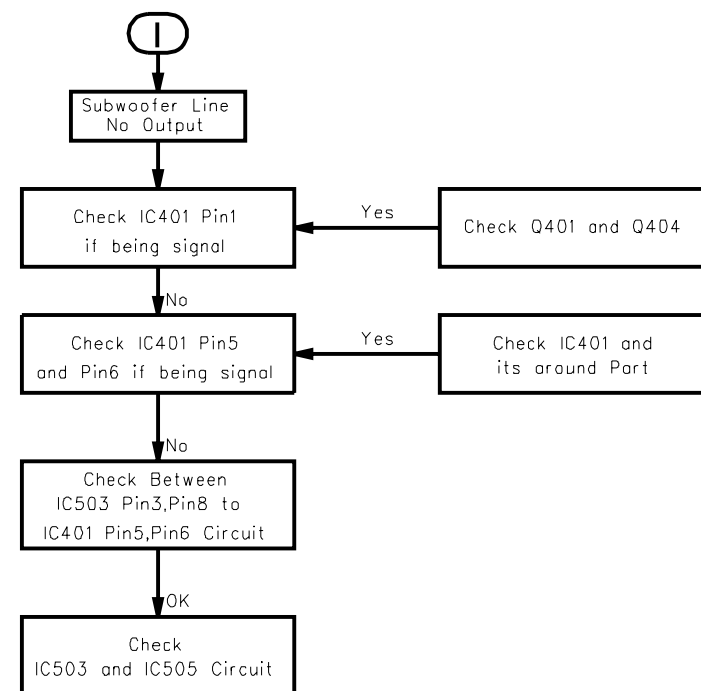
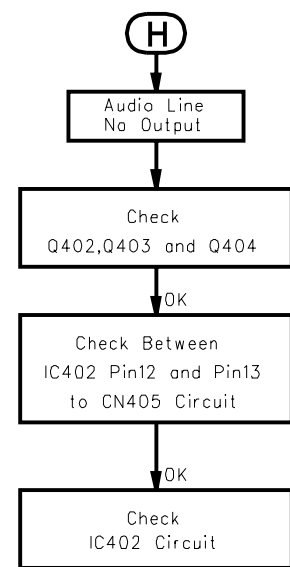
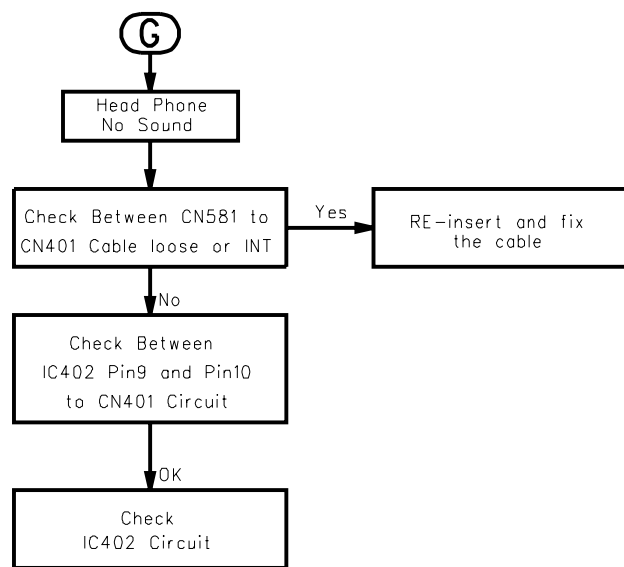
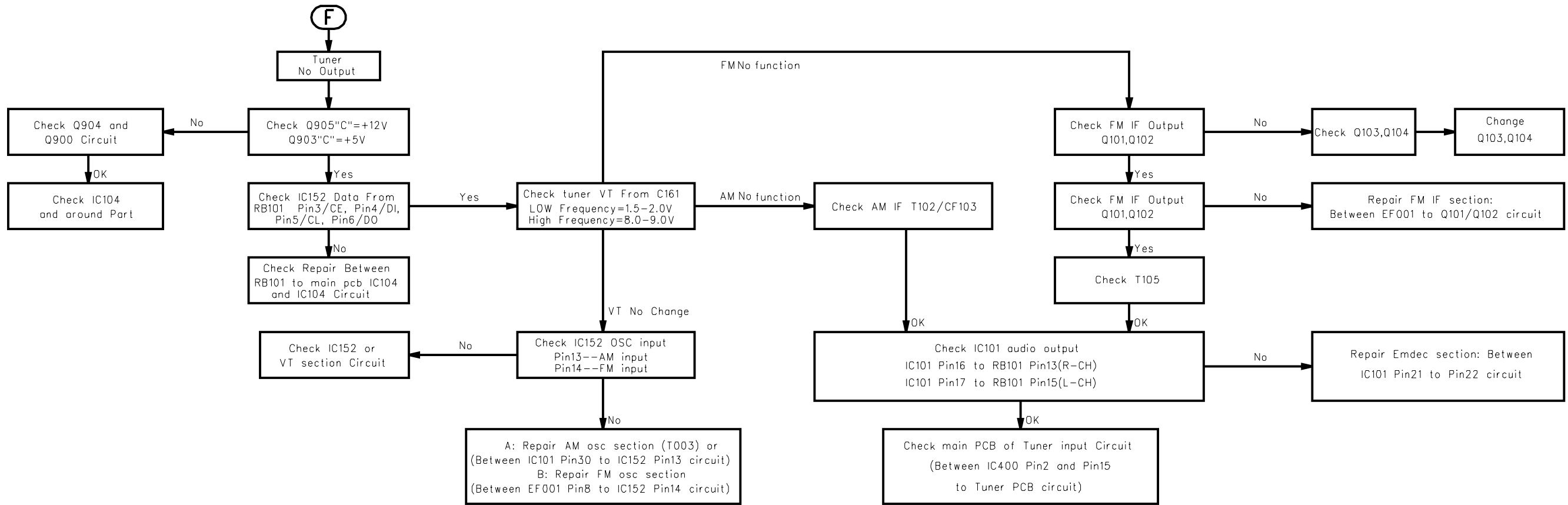
Note:

If the firmware has been changed, etc., we will use Service News, etc. to report on how to obtain new firmware data and create an upgraded disc.



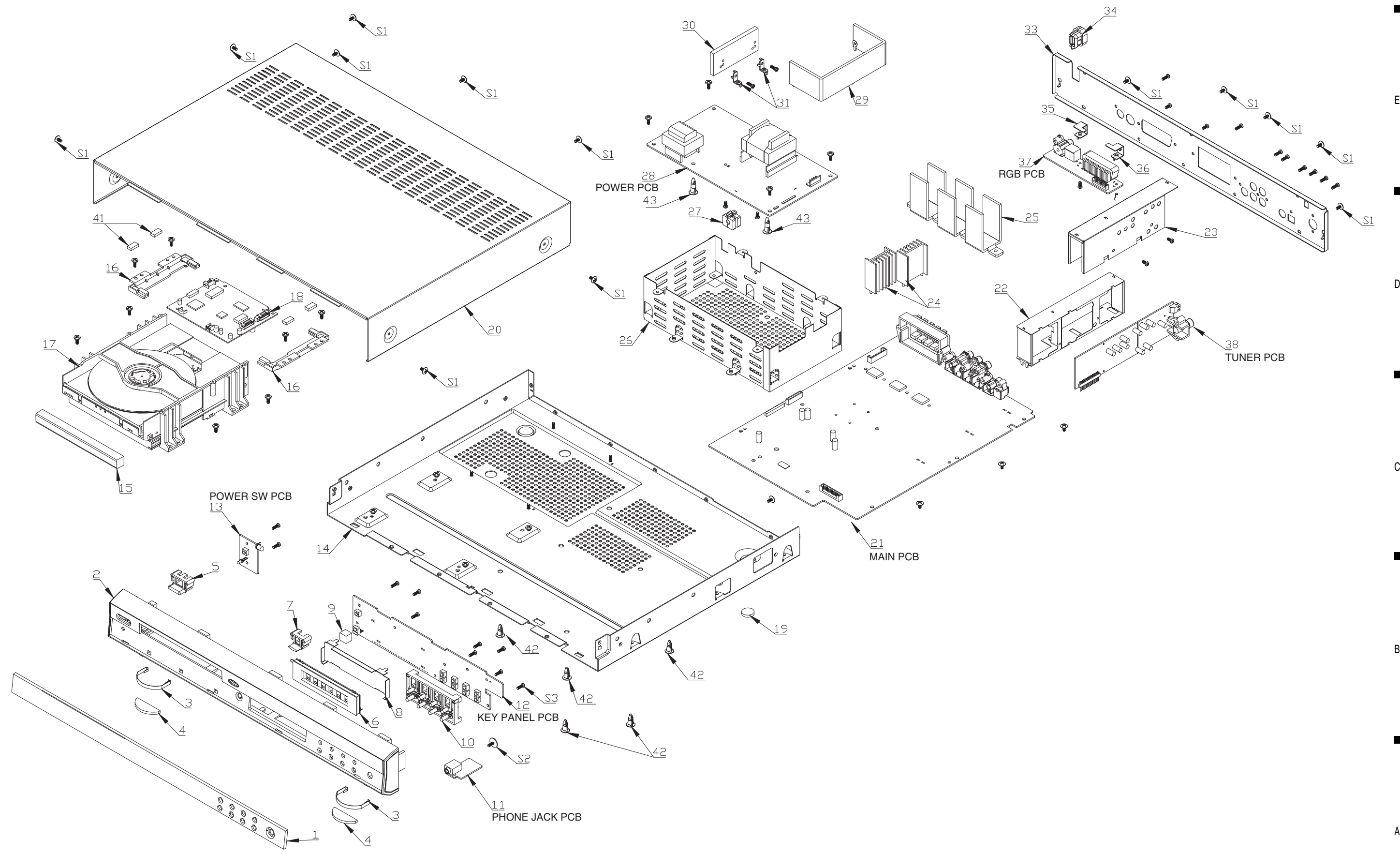
# MAIN UNIT REPAIR CHART





# 2 EXPLODED VIEW

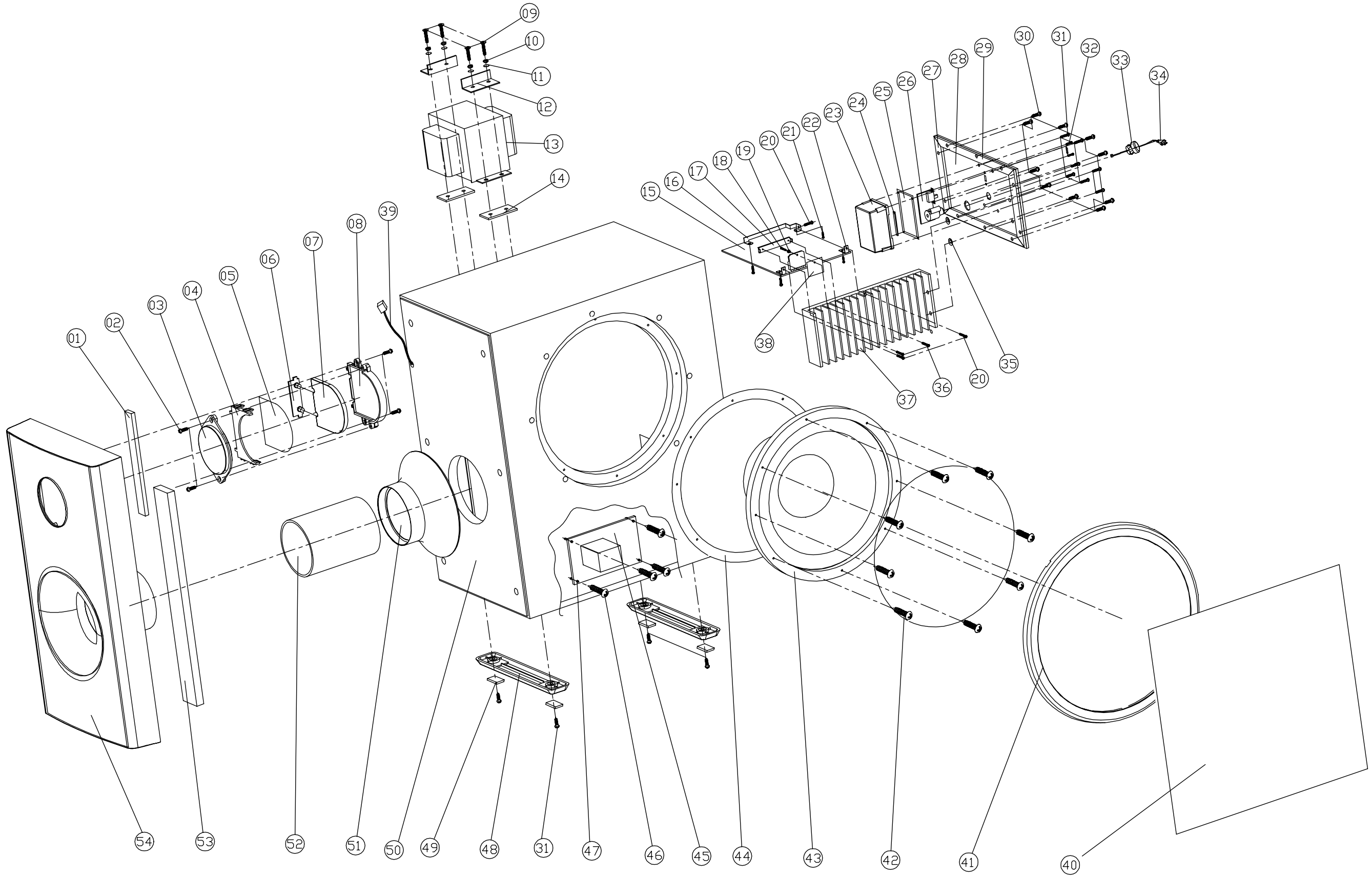
## 2-1 MAIN UNIT SECTION



1 ■ 2 ■ 3 ■ 4 ■ 5 ■ 6 ■ 7 ■ 8

2-2 SUBWOOFER SECTION

■  
E  
■  
D  
■  
C  
■  
B  
■  
A





# 3 REPLACEMENT PARTS LIST

## 3-1 MECHANICAL PARTS LIST

### 3-1-1 MAIN UNIT SECTION

#### MECHANISM SECTION

| No | Part No        | Description        |
|----|----------------|--------------------|
| 1  | BPN100086-0001 | DISPLAY WINDOW     |
| 2  | BPF104014-0001 | FRONT PANEL        |
| 3  | GAL000092-0001 | FRONT RING         |
| 4  | DUF000024-0001 | FRONT FOOT         |
| 5  | BPK106028-0001 | POWER KNOB         |
| 6  | KVL0015-001    | VFK                |
| 7  | BPK108056-0001 | OP/CL KNOB         |
| 8  | GTP100008-0001 | VFD BKT            |
| 9  | IVE100176-0001 | SPONGE             |
| 10 | BPK108056-0001 | FUNCTION KEY       |
| 11 | APE0216C001    | PHONE JACK         |
| 12 | APE0223C001    | CONTROL PCB        |
| 13 | APE0202C003    | POWER-SW PCB       |
| 14 | GSE100164-0001 | BOTTON CAB         |
| 15 | BPD101040-0001 | DOOR               |
| 16 | BPH100059-0001 | SV-PCB-HOLDER      |
| 17 | WVD100004-0001 | DVD LOADER         |
| 18 | WPC0310-001    | SV-PCB ASS'Y       |
| 19 | BRB00049-0004  | BTM-FOOT           |
| 20 | GSE100163-0001 | TOP COVER          |
| 21 | APE0203C001    | MAIN PCB           |
| 22 | GTP100006-0001 | TUNER-SHIELD COVER |
| 23 | GTP100007-0001 | TUNER-SHIELD BASE  |
| 24 | GAL000104-0002 | IC KEATSINK        |
| 25 | GAL100103-0001 | POWER-IC HTSK      |
| 26 | GSE100165-0001 | POWER CAB          |
| 27 | DBU001004-0010 | AC-CORD HOLDER     |
| 28 | APE0202C001    | POWER PCB          |
| 29 | GAL100187-0001 | HEATSINK-1         |
| 30 | GAL100188-0001 | HEATSINK-2         |
| 31 | GSE100155-0001 | HESTSINK BKT       |
| 33 | GSE100162-0001 | REAR PANEL         |
| 34 | DBU001005-0020 | AC-CORD HOLDER     |
| 35 | GSE100152-0001 | SCART-PCB HOLDER-L |
| 36 | GSE100153-0001 | SCART-PCB HOLDER-R |
| 37 | APE0193C001    | SCART PCB          |
| 38 | APE0187C001    | TUNER PCB          |
| 39 | BRB100038-0001 | CABLE CLIP RUBBER  |
| 40 | BRB100039-0001 | CABLE CLIP RUBBER  |
| 41 | BRB100049-0001 | RUBBER             |
| 42 | DSS100018-0001 | SPACER             |
| 43 | DSS100005-0001 | SPACER             |
| S3 | HSP140054-1080 | SCREW              |
| S2 | HSW140054-1081 | SCREW              |
| S1 | HST143048-1060 | SCREW              |

#### ACCESSORIES

| No | Part No        | Description                    |
|----|----------------|--------------------------------|
| 1  | VTA400003-0010 | 1000mm 1007#24 TC W/TERMINAL   |
| 2  | VTA100001-0020 | LOOP ANT SHINTA PS-100         |
| 3  | AIR151009-0033 | 51 KEY Dr351 HITACHI           |
| 4  | ESB015003-3021 | SKT SPK ASS'Y                  |
| 5  | FBY064015-0003 | BATTERY UM-4 1.5V              |
| 6  | ESB015003-3021 | SAT SPK AY 50W 8 OHM (5 P CS)  |
| 7  | FBY064015-0003 | BATTERY Di0x44mm UM-4 1.5V     |
| 8  | VSC000002-0010 | SCART CABL SC/G-SC/G,1000mm    |
| 9  | VIC101002-0030 | RCA CABLE 5000mm BLACK D2.44mm |
| 10 | YOM100150-0001 | OWN MANUAL 8 LANGUAGE          |
| 11 | VRC202001-0040 | RCA CABLE 1200mm BLK OD2.6x5.2 |
| 12 | VRC101008-0010 | RCA CABLE 1200mm BLK OD2.6mm   |

### 3-1-2 SUBWOOFER SECTION

#### MECHANISM SECTION

| No | Part No         | Description      |
|----|-----------------|------------------|
| 01 | IVE100221-0001  | SPONGE           |
| 02 | HSP140054-3080  | SCREW            |
| 03 | BPN10082-0001   | LED LENS         |
| 04 | BPH100069-0001  | LENS COVER       |
| 06 | APE100426-0001  | LED PCB          |
| 07 | BPN100060-0001  | IEWFINDER        |
| 08 | BPH100060-0001  | LENS HOLDE       |
| 09 | HSD143103-3250  | SCREW            |
| 10 | HNT140700-1300  | NUT              |
| 11 | HWT168540-1100  | WASHER           |
| 12 | GSE000110-0001  | X'FORMER BRACKET |
| 13 | TTI123001-0110  | PWR TRANS        |
| 14 | ICH080007-0007  | RUBBER           |
| 15 | APE100199-0011  | MAIN PCB ASS'Y   |
| 16 | GSE100117-0001  | PCB BRACKET      |
| 17 | GSE000206-0001  | IC BRACKET       |
| 18 | HSP140054-3100  | SCREW            |
| 19 | DHU201001-0001  | WASHER           |
| 20 | HSP143084-3100  | SCREW            |
| 21 | HSP143084-3060  | SCREW            |
| 22 | GSE000093-0002  | PCB BKT          |
| 23 | BPC000021-0001  | REAR COVER       |
| 24 | IVE000096-0002  | COVER SPONGE     |
| 25 | IVE000095-0001  | COVER SPONGE     |
| 26 | APE100199-0021  | JACK ASS'Y       |
| 27 | IVE100172-0001  | SPONGE           |
| 28 | GAL100090-0001  | REAR PLATE       |
| 29 | IVE100173-0001  | SPONGE           |
| 30 | HST140071-3140  | SCREW            |
| 31 | HSP140054-3100  | SCREW            |
| 32 | HSP143053-3060  | SCREW            |
| 33 | DBU001002-3060  | BUSHING          |
| 34 | VPE003252-0010  | LINE CORD        |
| 35 | HWF118040-6100  | WASHING FIB      |
| 36 | HSP143083-3160  | SCREW            |
| 37 | GAL100113-0001  | HEAT SINK        |
| 38 | HIM000001-0007  | MICA SHEET       |
| 39 | VFL211214-5500  | CON/WIRE         |
| 40 | IVN00042-0001   | CLOTH            |
| 41 | BPG101031-0001  | SPK GRILLE       |
| 42 | HST140091-3200  | SCREW            |
| 43 | FSB02A080-31110 | SPK DRIVER       |
| 44 | IVE000037-0001  | DRV SPONGE       |
| 45 | APE100200-0003  | POWER PCB        |
| 46 | HST140051-3220  | SCREW            |
| 47 | DSS100004-0003  | SPACER           |
| 48 | BPE100014-0001  | PLAS.FOOT        |
| 49 | BRF100021-0001  | RUBBER FOOT      |
| 50 | EVM100054-0001  | WOOD BOX         |
| 51 | BPR100027-0001  | PORT TUBE        |
| 52 | DPP017065-1250  | PAPER PORT       |
| 53 | IVE10074-0001   | SPONGE           |
| 54 | BPF102007-0001  | FRONT CAB        |

### 3-2 ELECTRICAL PARTS LIST

#### 3-2-1 MAIN UNIT SECTION

##### TUNER PCB SECTION

| Misellaneous |                |                       |
|--------------|----------------|-----------------------|
|              | LVT100187-0001 | TUNER PCB             |
| CF101        | JFT005002-0030 | 10.7 MHZ              |
| CF102        | JFT005002-0040 | 10.7 MHZ              |
| CF103        | JFT005001-0030 | 450 KHZ               |
| CN001        | CCN250000-0502 | S2B-XH-A 2 PIN        |
| EF001        | WTP000011-0001 | TUNER PACK            |
| J101         | XJP220000-0001 | 22 GA TINNED          |
| J102         | XJP220000-0001 | 22 GA TINNED          |
| J103         | XJP220000-0001 | 22 GA TINNED          |
| J104         | XJP220000-0001 | 22 GA TINNED          |
| J105         | XJP220000-0001 | 22 GA TINNED          |
| J106         | XJP220000-0001 | 22 GA TINNED          |
| J107         | XJP220000-0001 | 22 GA TINNED          |
| J108         | XJP220000-0001 | 22 GA TINNED          |
| J109         | XJP220000-0001 | 22 GA TINNED          |
| J110         | XJP220000-0001 | 22 GA TINNED          |
| J111         | XJP220000-0001 | 22 GA TINNED          |
| J112         | XJP220000-0001 | 22 GA TINNED          |
| J113         | XJP220000-0001 | 22 GA TINNED          |
| J114         | XJP220000-0001 | 22 GA TINNED          |
| J115         | XJP220000-0001 | 22 GA TINNED          |
| J116         | XJP220000-0001 | 22 GA TINNED          |
| J117         | XJP220000-0001 | 22 GA TINNED          |
| J118         | XJP220000-0001 | 22 GA TINNED          |
| J119         | XJP220000-0001 | 22 GA TINNED          |
| J120         | XJP220000-0001 | 22 GA TINNED          |
| J121         | XJP220000-0001 | 22 GA TINNED          |
| J122         | XJP220000-0001 | 22 GA TINNED          |
| J123         | XJP220000-0001 | 22 GA TINNED          |
| JK001        | CJA003002-2010 | FEMALE TYPE ID1.44mm  |
| L102         | SAN001600-1000 | 10 uH 10%             |
| L103         | SIL106003-3930 | 39 mH 10% D6xH11xP5mm |
| L104         | SAN001600-1000 | 10 uH 10%             |
| L151         | SAN001600-1000 | 10 uH 10%             |
| L152         | SAN001600-1000 | 10 uH 10%             |
| L153         | SAN001600-1000 | 10 uH 10%             |
| L154         | SAN001600-1000 | 10 uH 10%             |
| RB101        | CCP200010-0715 | 15 PIN P=2.0mm 90'    |
| RB102A       | VSW243BB2-0160 | 160mm BLACK TO RB102B |
| RB103        | CCP200010-0703 | 3 PIN P=2.0mm 90'     |
| VD001        | RHV100149-0001 | TOSHIBA 1SV149B       |
| VD002        | RHV100149-0001 | TOSHIBA 1SV149B       |
| VR102        | QCF015020-3920 | 3.9K OHM 1/10W 5%     |
| XL151        | JQC013101-4351 | 4.332 MHZ HC-49/U     |
| XL152        | JQC013101-4550 | 4.5000 MHZ HC-49/U    |

##### Capacitor

|      |                |                      |
|------|----------------|----------------------|
| C001 | PYL410370-3300 | 33 pF 50V 5%         |
| C003 | PYL439570-2230 | 0.022 uF 50V 20%     |
| C005 | PRD113870-5090 | 5 pF 50V +-0.25pF    |
| C006 | PYL456470-1040 | 0.1 uF 50V 10%       |
| C007 | PRD339670-1040 | 0.1 uF 50V +80-20%   |
| C008 | PYL456470-2220 | 0.0022uF 50V 10%     |
| C009 | PYL439570-2230 | 0.022 uF 50V 20%     |
| C010 | PYL439570-2230 | 0.022 uF 50V 20%     |
| C011 | PYL439570-2230 | 0.022 uF 50V 20%     |
| C011 | PRD249670-2230 | 0.022 uF 50V +80-20% |
| C012 | PRE939540-4700 | 47 uF 16V 20%        |

|      |                |                      |
|------|----------------|----------------------|
| C013 | PYL410370-8090 | 8 pF 50V 5%          |
| C014 | PVP026370-5610 | 560pF 50V 5%         |
| C015 | PRD249670-2230 | 0.022 uF 50V +80-20% |
| C016 | PYL456470-1040 | 0.1 uF 50V 10%       |
| C101 | PRD249670-2230 | 0.022 uF 50V +80-20% |
| C104 | PRE939530-3300 | 33 uF 10V 20%        |
| C105 | PYL439570-2230 | 0.022 uF 50V 20%     |
| C106 | PRE939530-3300 | 33 uF 10V 20%        |
| C107 | PVE939540-2200 | 22 uF 16V 20%        |
| C108 | PYL456470-1040 | 0.1 uF 50V 10%       |
| C109 | PRE939540-1000 | 10 uF 16V 20%        |
| C110 | PYL410370-2010 | 200 pF 50V 5%        |
| C111 | PYL410370-3000 | 30 pF 50V 5%         |
| C112 | PYL439570-4730 | 0.047 uF 50V 20%     |
| C113 | PVE939540-4700 | 47 uF 16V 20%        |
| C114 | PYL439570-4730 | 0.047 uF 50V 20%     |
| C115 | PYL439570-4730 | 0.047 uF 50V 20%     |
| C116 | PYL439570-2230 | 0.022 uF 50V 20%     |
| C117 | PVE939540-4700 | 47 uF 16V 20%        |
| C118 | PRE939570-1090 | 1 uF 50V 20%         |
| C119 | PRD235470-1520 | 1500 pF 50V 10%      |
| C120 | PYL410370-2200 | 22 pF 50V 5%         |
| C122 | PYL439570-2230 | 0.022 uF 50V 20%     |
| C123 | PRE939570-1090 | 1 uF 50V 20%         |
| C124 | PRE939570-4780 | 0.47 uF 50V 20%      |
| C125 | PRE939540-1000 | 10 uF 16V 20%        |
| C126 | PRE939540-1000 | 10 uF 16V 20%        |
| C127 | PRE939570-1090 | 1 uF 50V 20%         |
| C129 | PYL456470-2220 | 0.0022uF 50V 10%     |
| C130 | PYL456470-2220 | 0.0022uF 50V 10%     |
| C131 | PYL456470-4720 | 0.0047 uF 50V 10%    |
| C132 | PYL456470-4720 | 0.0047 uF 50V 10%    |
| C133 | PYL439570-2230 | 0.022 uF 50V 20%     |
| C134 | PYL439570-2230 | 0.022 uF 50V 20%     |
| C135 | PYL456470-1520 | 1500 pF 50V 10%      |
| C136 | PYL456470-1520 | 1500 pF 50V 10%      |
| C137 | PYL456470-1530 | 0.015 uF 50V 10%     |
| C138 | PYL456470-1530 | 0.015 uF 50V 10%     |
| C139 | PRE939540-4790 | 4.7 uF 16V 20%       |
| C140 | PRE939540-4790 | 4.7 uF 16V 20%       |
| C141 | PYL456470-2220 | 0.0022uF 50V 10%     |
| C142 | PYL456470-2220 | 0.0022uF 50V 10%     |
| C143 | PRE939540-4700 | 47 uF 16V 20%        |
| C144 | PYL439570-2230 | 0.022 uF 50V 20%     |
| C145 | PYL439570-2230 | 0.022 uF 50V 20%     |
| C151 | PRE939540-2290 | 2.2 uF 16V 20%       |
| C152 | PYL410370-5610 | 560 pF 50V 5%        |
| C153 | PYL410370-3310 | 330 pF 50V 5%        |
| C154 | PRD113370-3300 | 33 pF 50V 5%         |
| C155 | PRD113370-3300 | 33 pF 50V 5%         |
| C156 | PRE939540-4700 | 47 uF 16V 20%        |
| C157 | PRE939540-4700 | 47 uF 16V 20%        |
| C161 | PYL456470-1040 | 0.1 uF 50V 10%       |
| C163 | PRE939540-4700 | 47 uF 16V 20%        |
| C164 | PRD249670-2230 | 0.022 uF 50V +80-20% |
| C165 | PYL410370-1020 | 1000 pF 50V 5%       |
| C166 | PVE939540-3390 | 3.3 uF 16V 20%       |
| C167 | RD249670-2230  | 0.022 uF 50V +80-20% |
| C169 | PYL439570-2230 | 0.022 uF 50V 20%     |
| C170 | PYL439570-2230 | 0.022 uF 50V 20%     |
| C171 | PVE939540-4700 | 47 uF 16V 20%        |

|      |                |              |
|------|----------------|--------------|
| C173 | PRD113370-2700 | 27 pF 50V 5% |
| C174 | PRD113370-2700 | 27 pF 50V 5% |

##### Diode

|      |                |          |
|------|----------------|----------|
| D001 | RAD114148-0010 | DIODE SW |
| D002 | RAD114148-0010 | DIODE SW |
| D003 | RAD114148-0010 | DIODE SW |
| D004 | RAD114148-0010 | DIODE SW |
| D101 | RAD114148-0010 | DIODE SW |

##### Intergrated Circuit

|       |                |                           |
|-------|----------------|---------------------------|
| IC101 | RCI001837-0001 | IC 30 PIN LA1837 SANYO151 |
| IC151 | RCI001923-0001 | IC 16 PIN BUI1923F        |
| IC152 | RCI072131-0001 | IC 20 PIN LC72131M SANYO  |

##### Transistor

|      |                |               |
|------|----------------|---------------|
| Q001 | RAM200192-1001 | 2SK192A-Y/GR  |
| Q101 | RAN201675-0001 | 2SC1675L NEC  |
| Q102 | RAN201675-0001 | 2SC1675L NEC  |
| Q103 | RAP200733-0001 | 2SA733Q,P NEC |
| Q104 | RAN200945-0001 | 2SC945P       |
| Q105 | RAN200945-0001 | 2SC945P       |

##### Resistor

|      |                |                     |
|------|----------------|---------------------|
| R001 | QCF015020-6820 | 6.8K OHM 1/10W 5%   |
| R002 | QCF015020-1040 | 100K OHM 1/10W 5%   |
| R003 | QCF015020-1040 | 100K OHM 1/10W 5%   |
| R004 | QCF015020-1020 | 1K OHM 1/10W 5%     |
| R005 | QAF065000-3310 | 330 OHM 1/6W 5% CF  |
| R006 | QCF015020-1010 | 100 OHM 1/10W 5%    |
| R007 | QAF065000-1040 | 100K OHM 1/6W 5% CF |
| R008 | QAF065000-1010 | 100 OHM 1/6W 5% CF  |
| R009 | QCF015020-1020 | 1K OHM 1/10W 5%     |
| R101 | QCF015020-2740 | 270K OHM 1/10W 5%   |
| R102 | QCF015020-4700 | 47 OHM 1/10W 5%     |
| R103 | QCF015020-3310 | 330 OHM 1/10W 5%    |
| R104 | QAF065000-3310 | 330 OHM 1/6W 5% CF  |
| R105 | QAF065000-1010 | 100 OHM 1/6W 5% CF  |
| R106 | QCF015020-2740 | 270K OHM 1/10W 5%   |
| R107 | QCF015020-1000 | 10 OHM 1/10W 5%     |
| R108 | QAF065000-1030 | 10K OHM 1/6W 5% CF  |
| R109 | QCF015020-1040 | 100K OHM 1/10W 5%   |
| R110 | QAF065000-4700 | 47 OHM 1/6W 5% CF   |
| R112 | QCF015020-3320 | 3.3K OHM 1/10W 5%   |
| R113 | QCF015020-5620 | 5.6K OHM 1/10W 5%   |
| R114 | QCF015020-3310 | 330 OHM 1/10W 5%    |
| R115 | QCF015020-3320 | 3.3K OHM 1/10W 5%   |
| R116 | QCF015020-1020 | 1K OHM 1/10W 5%     |
| R117 | QCF015020-1840 | 180K OHM 1/10W 5%   |
| R118 | QCF015020-4700 | 47 OHM 1/10W 5%     |
| R119 | QCF015020-5100 | 51 OHM 1/10W 5%     |
| R122 | QCF015020-3920 | 3.9K OHM 1/10W 5%   |
| R123 | QAF065000-4720 | 4.7K OHM 1/6W 5% CF |
| R124 | QCF015020-3020 | 3K OHM 1/10W 5%     |
| R125 | QCF015020-1020 | 1K OHM 1/10W 5%     |
| R126 | QCF015020-4730 | 47K OHM 1/10W 5%    |
| R129 | QCF015020-4720 | 4.7K OHM 1/10W 5%   |
| R130 | QCF015020-4720 | 4.7K OHM 1/10W 5%   |
| R131 | QCF015020-6820 | 6.8K OHM 1/10W 5%   |
| R132 | QCF015020-6820 | 6.8K OHM 1/10W 5%   |

|      |                |                   |
|------|----------------|-------------------|
| R133 | QCF015020-2220 | 2.2K OHM 1/10W 5% |
| R134 | QCF015020-2220 | 2.2K OHM 1/10W 5% |
| R135 | QCF015020-4730 | 47K OHM 1/10W 5%  |
| R136 | QCF015020-4730 | 47K OHM 1/10W 5%  |
| R137 | QCF015020-2720 | 2.7K OHM 1/10W 5% |
| R138 | QCF015020-1030 | 10K OHM 1/10W 5%  |
| R139 | QCF015020-5610 | 560 OHM 1/10W 5%  |
| R151 | QCF015020-1040 | 100K OHM 1/10W 5% |
| R151 | QCF015020-1050 | 1M OHM 1/10W 5%   |
| R154 | QCF015020-1040 | 100K OHM 1/10W 5% |
| R154 | QCF015020-1050 | 1M OHM 1/10W 5%   |
| R155 | QAF065000-1020 | 1K OHM 1/6W 5% CF |
| R156 | QCF015020-3320 | 3.3K OHM 1/10W 5% |
| R157 | QCF015020-1020 | 1K OHM 1/10W 5%   |
| R158 | QCF015020-3320 | 3.3K OHM 1/10W 5% |
| R159 | QCF015020-4720 | 4.7K OHM 1/10W 5% |
| R160 | QCF015020-4720 | 4.7K OHM 1/10W 5% |
| R161 | QCF015020-4720 | 4.7K OHM 1/10W 5% |
| R162 | QCF015020-4720 | 4.7K OHM 1/10W 5% |
| R163 | QCF015020-4720 | 4.7K OHM 1/10W 5% |
| R165 | QCF015020-4720 | 4.7K OHM 1/10W 5% |
| R167 | QCF015020-2230 | 22K OHM 1/10W 5%  |
| R168 | QCF015020-2230 | 22K OHM 1/10W 5%  |

##### Coils

|       |                |                      |
|-------|----------------|----------------------|
| T001  | SIL013012-0010 | SUMIDA S-8N          |
| T002  | SIL013009-0011 | 4-6:10T 1-3:86T      |
| T003  | SIL013010-0012 | 108uH (796 KHz) COIL |
| T101  | SIL016001-0010 | 78 KHz               |
| T102  | SIF010001-0040 | 455KHz Q=130         |
| T103  | SIL016001-0020 | 16 KHz               |
| T104  | SIL016001-0020 | 16 KHz               |
| T105  | SIF020001-0050 | 10.7MHz Q=60 MIN     |
| TC001 | MVC001001-0010 | 3 - 10 PF NP0        |
| TC002 | MVC001002-0010 | 4.2 - 20 PF N450     |

##### RGB PCB SECTION

| Misellaneous |                |                    |
|--------------|----------------|--------------------|
|              | LVA100215-0001 | RGB                |
| RB181        | VSW545455-0250 | CCN / WIRE L=250mm |
| JK182        | CJR001301-0030 | 1P YELLOW W/GND    |
| JK183        | CJD004201-1020 | 4 PIN SW -04 DVD   |
| JK184        | CJR003301-0020 | 3P RED/GRN AXIAL   |
| C181         | PRD113370-1500 | 15 pF 50V 5% Np0   |
| C182         | PRD113370-1500 | 15 pF 50V 5% Np0   |
| C183         | PRD113370-1500 | 15 pF 50V 5% Np0   |
| C184         | PRD113370-1500 | 15 pF 50V 5% Np0   |
| C185         | PRD113370-1500 | 15 pF 50V 5% Np0   |
| C186         | PRD113370-1500 | 15 pF 50V 5% Np0   |
| C187         | PRD113370-1500 | 15 pF 50V 5% Np0   |
| ZD181        | RAZ005004-0030 | 4.1-4.3V 0.5W      |
| ZD182        | RAZ005004-0030 | 4.1-4.3V 0.5W      |
| ZD183        | RAZ005004-0030 | 4.1-4.3V 0.5W      |
| ZD184        | RAZ005004-0030 | 4.1-4.3V 0.5W      |
| ZD185        | RAZ005004-0030 | 4.1-4.3V 0.5W      |
| ZD186        | RAZ005004-0030 | 4.1-4.3V 0.5W      |
| FB           |                |                    |

KEY PANEL PCB SECTION

Misellaneous

|        |                 |                                |
|--------|-----------------|--------------------------------|
|        | LVU100223-0001  | PCB 94V0                       |
|        | LVU100223-0011  | KEY PCB                        |
|        | LVU100223-0021  | LED PCB                        |
|        | LVU100223-0031  | PHONE PCB 94V0                 |
|        | IVE100m176-0001 | L10xW10xT9mm BLK For SN251     |
| TA201  | MAW060001-0010  | SKHVBE3520                     |
| TA202  | MAW060001-0010  | SKHVBE3520                     |
| TA203  | MAW060001-0010  | SKHVBE3520                     |
| TA204  | MAW060001-0010  | SKHVBE3520                     |
| TA205  | MAW060001-0010  | SKHVBE3520                     |
| TA206  | MAW060001-0010  | SKHVBE3520                     |
| TA207  | MAW060001-0010  | SKHVBE3520                     |
| TA208  | MAW060001-0010  | SKHVBE3520                     |
| TA209  | MAW060001-0010  | SKHVBE3520                     |
| TA210  | MAW060001-0010  | SKHVBE3520                     |
| JK302  | CJM035002-3030  | PHONE JACK                     |
| JMP1   | XJP220000-0001  | 22 GA TINNED                   |
| JMP2   | XJP220000-0001  | 22 GA TINNED                   |
| JMP3   | XJP220000-0001  | 22 GA TINNED                   |
| JMP4   | XJP220000-0001  | 22 GA TINNED                   |
| JMP5   | XJP220000-0001  | 22 GA TINNED                   |
| JMP6   | XJP220000-0001  | 22 GA TINNED                   |
| JMP7   | XJP220000-0001  | 22 GA TINNED                   |
| JMP8   | XJP220000-0001  | 22 GA TINNED                   |
| JMP9   | XJP220000-0001  | 22 GA TINNED                   |
| JMP10  | XJP220000-0001  | 22 GA TINNED                   |
| JMP11  | XJP220000-0001  | 22 GA TINNED                   |
| JMP12  | XJP220000-0001  | 22 GA TINNED                   |
| JMP13  | XJP220000-0001  | 22 GA TINNED                   |
| JMP14  | XJP220000-0001  | 22 GA TINNED                   |
| JMP15  | XJP220000-0001  | 22 GA TINNED                   |
| JMP16  | XJP220000-0001  | 22 GA TINNED                   |
| JMP17  | XJP220000-0001  | 22 GA TINNED                   |
| JMP18  | XJP220000-0001  | 22 GA TINNED                   |
| JMP19  | XJP220000-0001  | 22 GA TINNED                   |
| JMP20  | XJP220000-0001  | 22 GA TINNED                   |
| JMP21  | XJP220000-0001  | 22 GA TINNED                   |
| JMP22  | XJP220000-0001  | 22 GA TINNED                   |
| JMP23  | XJP220000-0001  | 22 GA TINNED                   |
| JMP25  | XJP220000-0001  | 22 GA TINNED                   |
| JMP26  | XJP220000-0001  | 22 GA TINNED                   |
| JMP27  | XJP220000-0001  | 22 GA TINNED                   |
| JMP28  | XJP220000-0001  | 22 GA TINNED                   |
| JMP29  | XJP220000-0001  | 22 GA TINNED                   |
| JMP30  | XJP220000-0001  | 22 GA TINNED                   |
| JMP31  | XJP220000-0001  | 22 GA TINNED                   |
| JMP32  | XJP220000-0001  | 22 GA TINNED                   |
| JMP34  | XJP220000-0001  | 22 GA TINNED                   |
| JMP35  | XJP220000-0001  | 22 GA TINNED                   |
| JMP38  | XJP220000-0001  | 22 GA TINNED                   |
| LD251  | KED600005-0020  | LED 5 DIA HI BLUE              |
| RB105A | VFLF1124B-1600  | 15P 160mm UL2468#26 BLK        |
| RB105B | VFLF1124B-1600  | 15P 160mm UL2468#26 BLK        |
| RB201  | VFL41155-2000   | 4P 200mm UL2468#26BLK To CN201 |
| RB202  | VFL31124B-1200  | 3P 120mm BLK                   |
| RB401  | VFL51124B-0800  | 5P 80mm BLK                    |
| SN251  | RHO200038-0001  | IRT SENSOR                     |
| XL251  | JQC023100-4050  | 4 MHZ HC-49US 30ppm            |

Capacitor

|      |                |                      |
|------|----------------|----------------------|
| C251 | PRD249670-2230 | 0.022 uF 50V +80-20% |
| C252 | PVE839530-1010 | 100 uF 10V 20%       |
| C253 | PVD113580-1500 | 15pF 50V 5% NPO      |
| C254 | PVD113580-1500 | 15pF 50V 5% NPO      |
| C255 | PVD113580-1500 | 15pF 50V 5% NPO      |
| C256 | PVD113370-4700 | 47 pF 50V 5%         |
| C257 | PVD113580-1500 | 15pF 50V 5% NPO      |
| C258 | PVD113580-1500 | 15pF 50V 5% NPO      |
| C259 | PVE839540-1000 | 10 uF 16V 20%        |
| C260 | PRD249670-2230 | 0.022 uF 50V +80-20% |
| C261 | PVE839530-1010 | 100 uF 10V 20%       |
| C262 | PRD339670-1040 | 0.1 uF 50V +80-20%   |
| C263 | PVE839530-1010 | 100 uF 10V 20%       |
| C264 | PME039560-1010 | 100 uF 35V 20%       |
| C265 | PVE839530-1010 | 100 uF 10V 20%       |
| C266 | PRD249670-2230 | 0.022 uF 50V +80-20% |

Diode

|       |                |               |
|-------|----------------|---------------|
| D251  | RAD114148-0010 | DIODE SW      |
| D252  | RAD114148-0010 | DIODE SW      |
| D253  | RAD114148-0010 | DIODE SW      |
| D254  | RAD114148-0010 | DIODE SW      |
| DP251 | KLV000015-0010 | 74x13mm       |
| ZD251 | RAZ005005-0030 | 5.0-5.2V 0.5W |
| ZD252 | RAZ005005-0030 | 5.0-5.2V 0.5W |
| ZD253 | RAZ005005-0030 | 5.0-5.2V 0.5W |

Intergrated Circuit

|       |                |                            |
|-------|----------------|----------------------------|
| IC251 | RCI006311-0001 | IC 52 PIN PT6311(PTC0)     |
| IC252 | RHI000745-0006 | IC 18 PIN CF745 SOFTWARE-F |

Transistor

|      |                |               |
|------|----------------|---------------|
| Q251 | RAP200733-0001 | 2SA733Q,P NEC |
| Q252 | RAP200733-0001 | 2SA733Q,P NEC |
| Q253 | RAP200733-0001 | 2SA733Q,P NEC |
| Q254 | RAN200945-0001 | 2SC945P       |
| Q255 | RAN200945-0001 | 2SC945P       |

Resistor

|      |                |                     |
|------|----------------|---------------------|
| R213 | QAF065000-4720 | 4.7K OHM 1/6W 5% CF |
| R251 | QAF065000-1030 | 10K OHM 1/6W 5% CF  |
| R252 | QAF065000-1030 | 10K OHM 1/6W 5% CF  |
| R253 | QAF065000-1030 | 10K OHM 1/6W 5% CF  |
| R254 | QAF065000-1030 | 10K OHM 1/6W 5% CF  |
| R255 | QAF065000-1010 | 100 OHM 1/6W 5% CF  |
| R256 | QAF065000-1010 | 100 OHM 1/6W 5% CF  |
| R257 | QAF065000-1010 | 100 OHM 1/6W 5% CF  |
| R259 | QAF065000-1030 | 10K OHM 1/6W 5% CF  |
| R260 | QAF065000-1030 | 10K OHM 1/6W 5% CF  |
| R261 | QAF065000-1030 | 10K OHM 1/6W 5% CF  |
| R262 | QAF065000-1030 | 10K OHM 1/6W 5% CF  |
| R263 | QAF065000-2220 | 2.2K OHM 1/6W 5% CF |
| R264 | QAF065000-2220 | 2.2K OHM 1/6W 5% CF |
| R265 | QAF065000-2220 | 2.2K OHM 1/6W 5% CF |
| R266 | QAF065000-1040 | 100K OHM 1/6W 5% CF |
| R267 | QAF065000-2230 | 22K 1/6W 5% CF      |
| R268 | QAF065000-1040 | 100K OHM 1/6W 5% CF |
| R269 | QAF065000-2230 | 22K 1/6W 5% CF      |
| R270 | QAF065000-1040 | 100K OHM 1/6W 5% CF |
| R271 | QAF065000-2230 | 22K 1/6W 5% CF      |

|      |                |                     |
|------|----------------|---------------------|
| R272 | QAF065000-1010 | 100 OHM 1/6W 5% CF  |
| R273 | QAF065000-1220 | 1.2K OHM 1/6W 5% CF |
| R274 | QAF065000-2210 | 220 OHM 1/6W 5% CF  |
| R275 | QAF065000-1030 | 10K OHM 1/6W 5% CF  |
| R276 | QAF065000-1030 | 10K OHM 1/6W 5% CF  |
| R277 | QAF065000-5630 | 56K OHM 1/6W 5% CF  |
| R278 | QAF065000-1030 | 10K OHM 1/6W 5% CF  |
| R279 | QAF065000-1030 | 10K OHM 1/6W 5% CF  |
| R281 | QAF065000-1030 | 10K OHM 1/6W 5% CF  |
| R282 | QAF065000-1030 | 10K OHM 1/6W 5% CF  |
| R283 | QAF065000-1030 | 10K OHM 1/6W 5% CF  |
| R284 | QAF065000-1030 | 10K OHM 1/6W 5% CF  |
| R285 | QAF065000-1030 | 10K OHM 1/6W 5% CF  |
| R286 | QAF065000-1030 | 10K OHM 1/6W 5% CF  |
| R288 | QAF065000-1520 | 1.5K OHM 1/6W 5% CF |
| R289 | QAF065000-2220 | 2.2K OHM 1/6W 5% CF |
| R290 | QAF065000-1030 | 10K OHM 1/6W 5% CF  |
| R291 | QAF065000-2210 | 220 OHM 1/6W 5% CF  |
| R292 | QAF065000-4730 | 47K OHM 1/6W 5% CF  |
| R293 | QAF065000-1010 | 100 OHM 1/6W 5% CF  |

**POWER PCB SECTION**

**Misellaneous**

|   |                |  |
|---|----------------|--|
|   | LCP100202-0001 | POWER PCB                                  |
|   | RAD114148-0010 | DIODE SW                                   |
|   | FBY064015-0003 | D10x44mm UM-4 1.5V                         |
|   | VSC000002-0010 | SCART CABL                                 |
|   | VRC101002-0030 | 5000mm BLACK D2.44mm                       |
|   | CFC011000-1001 | FUSE CLIP For F901x2                       |
|   | VWA310007-0007 | 4P 600mm 1015#18 For RB905                 |
| △ | BR901          | RHD208080-0010 BRIDGE                      |
| △ | CN902          | CCN396021-0104 CONNECTOR                   |
| △ | F901           | KSA020315-0030 3.15A 250V SLOW             |
|   | L901           | SIL106001-6090 6uH 10.5Ts 6A               |
|   | L902           | SIL106002-6090 6uH 13.5Ts 2UEW             |
|   | L903           | SIL106002-6090 6uH 13.5Ts 2UEW             |
|   | P901           | VWR0333BB-0060 22 GA 60 mm RED 4-4 TO P902 |
|   | P903           | VWR0333BB-0060 22 GA 60 mm RED 4-4TO P904  |
|   | RB904          | VFL81131B-1400 8P 140mm BLK                |
|   | RB906          | VFL31124B-2200 3P 220mm BLK                |
| △ | RL901          | MRL012004-0011 RELAY                       |
| △ | RT901          | RNT005130-5090 5 OHM 5A DIA=13 mm          |
| △ | SN901          | RHI000615-0001 SFH615A-3                   |
| △ | T901           | JFT006008-0020 AC FILTER                   |
| △ | T902           | TTB123011-0020 230V EI-35                  |
| △ | T903           | TSC100001-0010 EE-42 50W                   |

**Capacitor**

|   |      |                                     |
|---|------|-------------------------------------|
| △ | C901 | PVX2705F0-2240 0.22uF 275V X2P 20%  |
| △ | C902 | PVX2705F0-2240 0.22uF 275V X2P 20%  |
| △ | C903 | PJE0995E0-2210 220 uF 200V 20% 105C |
| △ | C904 | PJE0995E0-2210 220 uF 200V 20% 105C |
| △ | C905 | PVY1705K0-2222 0.0022uF 400V 20%    |
| △ | C906 | PVY1705K0-2222 0.0022uF 400V 20%    |
|   | C907 | PVD2355Q0-1030 0.01 uF 1KV 20%      |
|   | C908 | PRD5564Q0-4710 470 pF 1KV 10% 125 C |
| △ | C909 | PVY1705K0-2222 0.0022uF 400V 20%    |
|   | C910 | PVD2355Q0-1020 0.001 uF 1KV 20%     |
|   | C911 | PRL048570-1050 1 uF 50V 20%         |
|   | C912 | PRD249670-1040 0.1 uF 50V +80-20%   |
|   | C913 | PME039550-4700 47 uF 25V 20%        |
|   | C914 | PME039550-2210 220 uF 25V 20%       |
|   | C919 | PRD235470-4720 4700 pF 50V 10%      |
|   | C920 | PRD249670-1040 0.1 uF 50V +80-20%   |
|   | C925 | PVD2355Q0-1020 0.001 uF 1KV 20%     |
|   | C926 | PME039570-1090 1 uF 50V 20%         |
|   | C929 | PVE039550-1020 1000 uF 25V 20% 85 C |
|   | C930 | PRD235470-1020 1000 pF 50V 10%      |
|   | C931 | PVE039540-1020 1000 uF 16V 20% 85 C |
|   | C932 | PVE039540-1020 1000 uF 16V 20% 85 C |
|   | C933 | PRD235470-1020 1000 pF 50V 10%      |
|   | C938 | PRD235470-1020 1000 pF 50V 10%      |
|   | C939 | PVE039540-1020 1000 uF 16V 20% 85 C |
|   | C940 | PVE039540-1020 1000 uF 16V 20% 85 C |
|   | C941 | PRD235470-1020 1000 pF 50V 10%      |
|   | C945 | PVD2354Q0-4710 470 pF 1KV 10%       |
|   | C947 | PVE039570-1020 1000 uF 50V 20%      |
|   | C948 | PVE039570-1020 1000 uF 50V 20%      |
|   | C949 | PRD235470-1020 1000 pF 50V 10%      |
|   | C950 | PRD235470-1030 0.01 uF 50V 10%      |
|   | C951 | PRD249670-1040 0.1 uF 50V +80-20%   |

|   |      |                                   |
|---|------|-----------------------------------|
|   | C952 | PVE039570-1020 1000 uF 50V 20%    |
|   | C962 | PRD249670-1040 0.1 uF 50V +80-20% |
| △ | C963 | PVY1705K0-2222 0.0022uF 400V 20%  |
| △ | C964 | PVY1705K0-2222 0.0022uF 400V 20%  |
|   | C965 | PVD2355Q0-1020 0.001 uF 1KV 20%   |
|   | C966 | PVD2355Q0-1020 0.001 uF 1KV 20%   |
|   | C967 | PVD2355Q0-1020 0.001 uF 1KV 20%   |
| △ | C968 | PVY1705K0-2222 0.0022uF 400V 20%  |
|   | C969 | PRD235470-1030 0.01 uF 50V 10%    |
|   | C970 | PRD249670-1040 0.1 uF 50V +80-20% |
|   | C972 | PME039570-1000 10 uF 50V 20%      |

**Diode**

|        |                         |                                     |
|--------|-------------------------|-------------------------------------|
| △      | D901                    | RAD100026-0010 DIODE BYV26D PHILIPS |
|        | D902                    | RAD114148-0010 DIODE SW             |
| △      | D903                    | RAD114001-0010 DIODE                |
|        | D904                    | RAD114148-0010 DIODE SW             |
| △      | D905                    | RHD208020-0010 BRIDGE               |
| △      | D906                    | RHD115822-0010 1N5822 3A 45V        |
| D906x2 | DSL001001-0100 SLEEVING |                                     |
| △      | D907                    | RAD100204-0010 HER204 2A 300V 50nS  |
| △      | D908                    | RAD100104-0010 HER104 1A 300V 50nS  |
|        | D909                    | RAD114148-0010 DIODE SW             |
|        | D910                    | RAD114148-0010 DIODE SW             |
| △      | ZD901                   | RAD160200-0010 P6KE200A             |
|        | ZD902                   | RAZ005006-0020 5.6-5.9V 0.5W        |
|        | ZD903                   | RAZ005007-0020 6.9-7.2V 0.5W        |

**Intergranted Circuit**

|   |       |                                      |
|---|-------|--------------------------------------|
| △ | IC903 | RHI000249-0001 IC 6 PIN TOP 249 250W |
| △ | IC904 | RHI004310-0001 IC 3 PIN TI431        |

**Transistor**

|   |      |                                 |
|---|------|---------------------------------|
|   | Q903 | RAN202222-0001 2N2222A          |
| △ | Q904 | RHN000120-0001 TIP120           |
|   | Q910 | RAM207000-1001 2N7000 60V 200mA |
|   | Q912 | RAM207000-1001 2N7000 60V 200mA |
|   | Q913 | RAN202001-0001 2SC2001L NEC     |

**Resistor**

|  |      |                                     |
|--|------|-------------------------------------|
|  | R901 | QAF025000-5640 560K OHM 1/2W 5% CF  |
|  | R901 | QAF025000-5640 560K OHM 1/2W 5% CF  |
|  | R902 | QAF025000-5640 560K OHM 1/2W 5% CF  |
|  | R902 | QAF025000-5640 560K OHM 1/2W 5% CF  |
|  | R903 | QAF025000-1050 1M OHM 1/2W 5% CF    |
|  | R904 | QAF025000-1050 1M OHM 1/2W 5% CF    |
|  | R905 | QGN205000-6830 68K OHM 2W 5% W/KINK |
|  | R906 | QGN205000-6830 68K OHM 2W 5% W/KINK |
|  | R907 | QAF065000-4790 4.7 OHM 1/6W 5% CF   |
|  | R908 | QAF065000-6890 6.8 OHM 1/6W 5%      |
|  | R919 | QAF065000-1030 10K OHM 1/6W 5% CF   |
|  | R919 | QAF065000-1030 10K OHM 1/6W 5% CF   |
|  | R920 | QAF065000-1020 1K OHM 1/6W 5% CF    |
|  | R921 | QAF065000-1020 1K OHM 1/6W 5% CF    |
|  | R922 | QAF065000-5630 56K OHM 1/6W 5% CF   |
|  | R923 | QAM061000-3002 30K OHM 1/6W 1%      |
|  | R924 | QAF065000-2020 2K OHM 1/6W 5% CF    |
|  | R925 | QAF061000-2701 2.7K OHM 1/6W 1%     |
|  | R928 | QAS025101-1210 120 OHM 1/2W         |
|  | R931 | QAF065000-7500 75 OHM 1/6W 5% CF    |
|  | R932 | QAF065000-2020 2K OHM 1/6W 5% CF    |

|  |      |                                   |
|--|------|-----------------------------------|
|  | R941 | QAF065000-4730 47K OHM 1/6W 5% CF |
|  | R942 | QAF065000-2230 22K 1/6W 5% CF     |
|  | R943 | QAF065000-1030 10K OHM 1/6W 5% CF |
|  | R945 | QAF065000-1030 10K OHM 1/6W 5% CF |
|  | R946 | QAF065000-1030 10K OHM 1/6W 5% CF |
|  | R947 | QAF065000-4730 47K OHM 1/6W 5% CF |
|  | R948 | QAF065000-2230 22K 1/6W 5% CF     |
|  | R951 | QAF045000-1010 100 OHM 1/4W 5% CF |
|  | R952 | QAS025100-1090 1 OHM 1/2W 5%      |

**Jumper**

|       |                |              |
|-------|----------------|--------------|
| JW903 | XJP220000-0001 | 22 GA TINNED |
| JW904 | XJP220000-0001 | 22 GA TINNED |
| JW905 | XJP220000-0001 | 22 GA TINNED |
| JW906 | XJP220000-0001 | 22 GA TINNED |
| JW907 | XJP220000-0001 | 22 GA TINNED |
| JW908 | XJP220000-0001 | 22 GA TINNED |
| JW909 | XJP220000-0001 | 22 GA TINNED |
| JW910 | XJP220000-0001 | 22 GA TINNED |
| JW911 | XJP220000-0001 | 22 GA TINNED |

MAIN PCB SECTION

Misellaneous

|       |                |                        |           |                |                      |      |                |                  |      |                |                 |
|-------|----------------|------------------------|-----------|----------------|----------------------|------|----------------|------------------|------|----------------|-----------------|
|       | LFM100203-0001 | MAIN PCB               | L2008     | XJP220000-0001 | 22 GA TINNED         | C130 | PYL410370-4710 | 470 pF 50V 5%    | C501 | PYL456370-1040 | 0.1 uF 50V 5%   |
|       | LFM100203-0011 | MAIN PCB               | L2009     | SCB008050-1010 | 100 OHM AT 100MHZ    | C131 | PYL410370-4710 | 470 pF 50V 5%    | C502 | PYL456370-1040 | 0.1 uF 50V 5%   |
|       | VSW5154B5-0280 | 5P 280mm 2854#30 BRN   | L2010     | SCB008050-1010 | 100 OHM AT 100MHZ    | C132 | PYL410370-4710 | 470 pF 50V 5%    | C504 | PYL456370-1040 | 0.1 uF 50V 5%   |
| CN1   | CCN200000-0103 | 3 PIN PITCH=2.0mm      | L2032     | SIL106002-2000 | 20 uH 2A             | C133 | PYL410370-4710 | 470 pF 50V 5%    | C506 | PYL456370-1040 | 0.1 uF 50V 5%   |
| CN2   | CCN200000-0103 | 3 PIN PITCH=2.0mm      | L2034     | SIL106002-2000 | 20 uH 2A             | C134 | PYL410370-4710 | 470 pF 50V 5%    | C510 | PYL410370-1020 | 1000 pF 50V 5%  |
| CN102 | CCH100060-0216 | 16 PIN TO2-3100-1160   | L2036     | SIL106002-2000 | 20 uH 2A             | C135 | PYL410370-4710 | 470 pF 50V 5%    | C511 | PYL456450-1050 | 1uF 25V 10%     |
| CN103 | CCH100010-0226 | 13x2P FFC P1xL3mm      | L2037     | SIL106002-2000 | 20 uH 2A             | C136 | PYL410370-1010 | 100 pF 50V 5%    | C512 | PYL456370-1040 | 0.1 uF 50V 5%   |
| CN105 | CCN200000-0115 | 15 PIN PITCH=2.0mm     | L2038     | SIL106002-2000 | 20 uH 2A             | C137 | PYL410370-1010 | 100 pF 50V 5%    | C513 | PYL456370-1040 | 0.1 uF 50V 5%   |
| CN401 | CCN200000-0105 | 5 PIN PITCH=2.0mm      | L2045     | SIL102001-2000 | 20uH D0.5mm 4PIN     | C138 | PYL456370-1040 | 0.1 uF 50V 5%    | C514 | PYL410370-1020 | 1000 pF 50V 5%  |
| CN903 | CCN250000-0108 | B8B-XH-A 8 PIN         | RB402     | CCN250000-0103 | B3B-XH-A 3 PIN       | C141 | PYL410370-2200 | 22 pF 50V 5%     | C515 | PYL456370-1040 | 0.1 uF 50V 5%   |
| CN904 | CCN396020-0104 | 4 PIN CL3962WVO        | RB2001    | CCN200000-0105 | 5 PIN PITCH=2.0mm    | C142 | PYL410370-2200 | 22 pF 50V 5%     | C516 | PYL456370-1040 | 0.1 uF 50V 5%   |
| CN905 | VFL611245-1300 | 6P 130mm BLK           | RB2002    | CCN200000-0105 | 5 PIN PITCH=2.0mm    | C143 | PYL456370-1040 | 0.1 uF 50V 5%    | C517 | PME039570-1000 | 10 uF 50V 20%   |
| FB1   | SFB001001-0030 | DIA3.5x6mm             | Rp100     | QCP015081-3300 | 33 OHMx4 1/10W 5%    | C144 | PYL410370-1020 | 1000 pF 50V 5%   | C518 | PME039570-1000 | 10 uF 50V 20%   |
| FB100 | SCB008050-1010 | 100 OHM AT 100MHZ      | RP101     | QCP015081-4700 | 47 OHMx4 1/10W 5%    | C151 | PYL410370-1500 | 15 pF 50V 5%     | C519 | PME039570-1000 | 10 uF 50V 20%   |
| FB101 | SCB008050-1010 | 100 OHM AT 100MHZ      | RP102     | QCP015081-4700 | 47 OHMx4 1/10W 5%    | C296 | PME039540-1010 | 100 uF 16V 20%   | C520 | PME039570-1000 | 10 uF 50V 20%   |
| FB103 | SFB001001-0030 | DIA3.5x6mm             | RP103     | QCP015081-3300 | 33 OHMx4 1/10W 5%    | C400 | PYL456370-1040 | 0.1 uF 50V 5%    | C523 | PRM0373A0-1040 | 0.1 uF 100V 5%  |
| FB104 | SFB001001-0030 | DIA3.5x6mm             | RP104     | QCP015081-3300 | 33 OHMx4 1/10W 5%    | C401 | PME039550-1010 | 100 uF 25V 20%   | C525 | PYL456370-1040 | 0.1 uF 50V 5%   |
| FB500 | SFB001001-0030 | DIA3.5x6mm             | RP105     | QCP015081-3300 | 33 OHMx4 1/10W 5%    | C402 | PYL410370-1010 | 100 pF 50V 5%    | C526 | PVE039570-1020 | 1000 uF 50V 20% |
| FB502 | SCB008050-1010 | 100 OHM AT 100MHZ      | RP106     | QCP015081-3300 | 33 OHMx4 1/10W 5%    | C403 | PYL410370-1010 | 100 pF 50V 5%    | C527 | PVE039570-1020 | 1000 uF 50V 20% |
| FB503 | SCB008050-1010 | 100 OHM AT 100MHZ      | RP107     | QCP015081-1000 | 10 OHMx4 1/10W 5%    | C404 | PYL439570-1030 | 0.01 uF 50V 20%  | C528 | PYL410370-1020 | 1000 pF 50V 5%  |
| FB900 | SFB001001-0030 | DIA3.5x6mm             | RP108     | QCP015081-3300 | 33 OHMx4 1/10W 5%    | C405 | PYL439570-4730 | 0.047 uF 50V 20% | C529 | PYL410370-3310 | 330 pF 50V 5%   |
| JK401 | CJT100001-0001 | JACK                   | RP109     | QCP015081-1000 | 10 OHMx4 1/10W 5%    | C406 | PYL439570-2230 | 0.022 uF 50V 20% | C530 | PYL410370-3310 | 330 pF 50V 5%   |
| JK402 | CJR001301-0010 | 1P BLACK W/GEND PIN    | RP110     | QCP015081-1000 | 10 OHMx4 1/10W 5%    | C407 | XJP220000-0001 | 22 GA TINNED     | C531 | PYL410370-3310 | 330 pF 50V 5%   |
| JK403 | CJR001301-0010 | 1P BLACK W/GEND PIN    | XL100     | JQC023100-2760 | 27 MHZ HC-49US 30ppm | C408 | PME039570-4790 | 4.7 uF 50V 20%   | C532 | PRL048570-4740 | 0.47 uF 50V 20% |
| JK405 | CJR004101-0010 | 4P WHT-WHT/RED-RED     | XL500     | JQC013100-6151 | 6.144 MHZ HC-49/U    | C409 | PME039570-4790 | 4.7 uF 50V 20%   | C533 | PRL048570-4740 | 0.47 uF 50V 20% |
| JK500 | CJS010101-0020 | 10P W/SPRING           |           |                |                      | C410 | PME039570-1090 | 1 uF 50V 20%     | C534 | PRL048570-4740 | 0.47 uF 50V 20% |
| JMP1  | XJP220000-0001 | 22 GA TINNED           | Capacitor |                |                      | C411 | PYL410370-1010 | 100 pF 50V 5%    | C535 | PRL048570-4740 | 0.47 uF 50V 20% |
| JMP2  | XJP220000-0001 | 22 GA TINNED           | C1        | PME039570-1000 | 10 uF 50V 20%        | C412 | PYL456370-1040 | 0.1 uF 50V 5%    | C536 | PRL048570-1050 | 1 uF 50V 20%    |
| JMP3  | XJP220000-0001 | 22 GA TINNED           | C2        | PYL410370-1010 | 100 pF 50V 5%        | C413 | PYL456370-1040 | 0.1 uF 50V 5%    | C537 | PRL048570-1050 | 1 uF 50V 20%    |
| JMP4  | XJP220000-0001 | 22 GA TINNED           | C3        | PYL410370-1010 | 100 pF 50V 5%        | C414 | PME039570-4790 | 4.7 uF 50V 20%   | C538 | PRL048570-1050 | 1 uF 50V 20%    |
| JMP5  | XJP220000-0001 | 22 GA TINNED           | C4        | PYL410370-1010 | 100 pF 50V 5%        | C415 | PME039570-4790 | 4.7 uF 50V 20%   | C539 | PRL048570-1050 | 1 uF 50V 20%    |
| JMP6  | XJP220000-0001 | 22 GA TINNED           | C5        | PYL410370-1010 | 100 pF 50V 5%        | C416 | PME039570-1000 | 10 uF 50V 20%    | C540 | PRL048570-1050 | 1 uF 50V 20%    |
| JMP7  | XJP220000-0001 | 22 GA TINNED           | C6        | PYL456370-1040 | 0.1 uF 50V 5%        | C417 | PME039570-1000 | 10 uF 50V 20%    | C541 | PRL048570-1050 | 1 uF 50V 20%    |
| JMP8  | XJP220000-0001 | 22 GA TINNED           | C7        | PYL456370-1040 | 0.1 uF 50V 5%        | C418 | PYL456370-1040 | 0.1 uF 50V 5%    | C542 | PRL048570-1050 | 1 uF 50V 20%    |
| JMP9  | XJP220000-0001 | 22 GA TINNED           | C8        | PYL410370-1020 | 1000 pF 50V 5%       | C419 | PYL439570-1030 | 0.01 uF 50V 20%  | C543 | PRL048570-1050 | 1 uF 50V 20%    |
| JMP10 | XJP220000-0001 | 22 GA TINNED           | C9        | PYL456370-1040 | 0.1 uF 50V 5%        | C420 | PME039570-4790 | 4.7 uF 50V 20%   | C544 | PRL048570-1050 | 1 uF 50V 20%    |
| JMP11 | XJP220000-0001 | 22 GA TINNED           | C10       | PYL456370-1040 | 0.1 uF 50V 5%        | C421 | PME039570-4790 | 4.7 uF 50V 20%   | C545 | PRL048570-4740 | 0.47 uF 50V 20% |
| L1    | SAN001600-1000 | 10 uH 10%              | C11       | PYL410370-1020 | 1000 pF 50V 5%       | C422 | PYL456370-1040 | 0.1 uF 50V 5%    | C546 | PRL048570-4740 | 0.47 uF 50V 20% |
| L2    | SAN001600-1000 | 10 uH 10%              | C12       | PYL456370-1040 | 0.1 uF 50V 5%        | C423 | PME039540-4710 | 470 uF 16V 20%   | C547 | PRL048570-4740 | 0.47 uF 50V 20% |
| L3    | SAN001600-1000 | 10 uH 10%              | C13       | PYL410370-1020 | 1000 pF 50V 5%       | C424 | PYL410370-1020 | 1000 pF 50V 5%   | C548 | PRD235470-1040 | 0.1 uF 50V 10%  |
| L100  | SCN023500-2490 | 2.4 uH 5% SMD 0805     | C14       | PYL456370-1040 | 0.1 uF 50V 5%        | C425 | PYL456370-1040 | 0.1 uF 50V 5%    | C549 | PRD235470-1040 | 0.1 uF 50V 10%  |
| L101  | SCN023500-2490 | 2.4 uH 5% SMD 0805     | C15       | PYL456370-1040 | 0.1 uF 50V 5%        | C426 | PME039570-4790 | 4.7 uF 50V 20%   | C550 | PRD235470-1040 | 0.1 uF 50V 10%  |
| L102  | SCN023500-2490 | 2.4 uH 5% SMD 0805     | C16       | PYL410370-1010 | 100 pF 50V 5%        | C427 | PYL456370-1040 | 0.1 uF 50V 5%    | C554 | PRD235470-1040 | 0.1 uF 50V 10%  |
| L103  | SCN023500-2490 | 2.4 uH 5% SMD 0805     | C17       | PYL410370-1010 | 100 pF 50V 5%        | C428 | PYL410370-1020 | 1000 pF 50V 5%   | C555 | PRD235470-1040 | 0.1 uF 50V 10%  |
| L400  | SAN001600-1000 | 10 uH 10%              | C18       | PYL410370-1010 | 100 pF 50V 5%        | C429 | PME039540-1010 | 100 uF 16V 20%   | C556 | PRD235470-1040 | 0.1 uF 50V 10%  |
| L401  | SAN001600-1000 | 10 uH 10%              | C19       | PYL456370-1040 | 0.1 uF 50V 5%        | C430 | PYL456470-1020 | 0.001 uF 50V 10% | C557 | PYL410370-1010 | 100 pF 50V 5%   |
| L500  | SIN002002-3000 | 30uH 15% 1KHZ 0.25V 2A | C20       | PYL456370-1040 | 0.1 uF 50V 5%        | C432 | PYL456370-1040 | 0.1 uF 50V 5%    | C558 | PYL410370-1010 | 100 pF 50V 5%   |
| L501  | SIN002002-3000 | 30uH 15% 1KHZ 0.25V 2A | C21       | PYL456370-1040 | 0.1 uF 50V 5%        | C433 | PME039570-4790 | 4.7 uF 50V 20%   | C559 | PYL456370-1040 | 0.1 uF 50V 5%   |
| L502  | SIN002002-3000 | 30uH 15% 1KHZ 0.25V 2A | C22       | PYL456370-1040 | 0.1 uF 50V 5%        | C434 | PYL410370-1010 | 100 pF 50V 5%    | C561 | PYL456370-1040 | 0.1 uF 50V 5%   |
| L503  | SIN002002-3000 | 30uH 15% 1KHZ 0.25V 2A | C38       | PYL456370-1040 | 0.1 uF 50V 5%        | C435 | PYL439570-1040 | 0.1 uF 50V 20%   | C562 | PYL456370-1040 | 0.1 uF 50V 5%   |
| L504  | SIL106002-2000 | 20 uH 2A               | C39       | PYL410370-1010 | 100 pF 50V 5%        | C436 | PYL410370-5600 | 56 pF 50V 5%     | C563 | PME039570-4790 | 4.7 uF 50V 20%  |
| L507  | SIL102001-2000 | 20uH D0.5mm 4PIN       | C41       | PYL410370-1010 | 100 pF 50V 5%        | C437 | PYL410370-5610 | 56 pF 50V 5%     | C566 | PYL456450-1050 | 1uF 25V 10%     |
| L508  | SIL102001-2000 | 20uH D0.5mm 4PIN       | C42       | PYL410370-1010 | 100 pF 50V 5%        | C441 | PYL410370-1010 | 100 pF 50V 5%    | C567 | PYL456450-1050 | 1uF 25V 10%     |
| L509  | SIL102001-2000 | 20uH D0.5mm 4PIN       | C43       | PYL410370-1010 | 100 pF 50V 5%        | C442 | PYL410370-1010 | 100 pF 50V 5%    | C568 | PYL456370-1040 | 0.1 uF 50V 5%   |
| L513  | SAN001600-1510 | 150 uH 10%             | C102      | PYL456370-1040 | 0.1 uF 50V 5%        | C443 | PYL410370-1010 | 100 pF 50V 5%    | C569 | PYL410370-1020 | 1000 pF 50V 5%  |
| L514  | SAN001600-1510 | 150 uH 10%             | C103      | PYL456370-1040 | 0.1 uF 50V 5%        | C444 | PYL410370-1010 | 100 pF 50V 5%    | C570 | PYL456370-1040 | 0.1 uF 50V 5%   |
| L515  | SIL102001-2000 | 20uH D0.5mm 4PIN       | C104      | PME039550-4780 | 0.47 uF 25V 20%      | C445 | PYL410370-1010 | 100 pF 50V 5%    | C571 | PYL410370-1020 | 1000 pF 50V 5%  |
| L2005 | SCN023600-1000 | 10 uH 10% SMD 0805     | C124      | PYL410370-3300 | 33 pF 50V 5%         | C446 | PYL410370-1010 | 100 pF 50V 5%    | C572 | PYL456370-1040 | 0.1 uF 50V 5%   |
|       |                |                        | C127      | PYL456370-1040 | 0.1 uF 50V 5%        | C447 | PYL410370-1010 | 100 pF 50V 5%    | C573 | PYL456370-1040 | 0.1 uF 50V 5%   |
|       |                |                        | C128      | PYL410370-4710 | 470 pF 50V 5%        | C447 | PYL410370-1010 | 100 pF 50V 5%    | C574 | PYL456370-1040 | 0.1 uF 50V 5%   |
|       |                |                        | C129      | PYL410370-4710 | 470 pF 50V 5%        | C500 | PYL410370-1010 | 100 pF 50V 5%    | C575 | PYL456370-1040 | 0.1 uF 50V 5%   |

|       |                |                      |
|-------|----------------|----------------------|
| C576  | PME039570-1000 | 10 uF 50V 20%        |
| C577  | PME039570-1000 | 10 uF 50V 20%        |
| C579  | PYL456370-1040 | 0.1 uF 50V 5%        |
| C581  | PYL456370-1040 | 0.1 uF 50V 5%        |
| C582  | PYL410370-1020 | 1000 pF 50V 5%       |
| C583  | PVE039570-1020 | 1000 uF 50V 20%      |
| C584  | PYL410370-1020 | 1000 pF 50V 5%       |
| C585  | PYL410370-3310 | 330 pF 50V 5%        |
| C586  | PYL410370-3310 | 330 pF 50V 5%        |
| C587  | PYL410370-1020 | 1000 pF 50V 5%       |
| C588  | PRL048570-1050 | 1 uF 50V 20%         |
| C589  | PRL048570-1050 | 1 uF 50V 20%         |
| C590  | PRL048570-1050 | 1 uF 50V 20%         |
| C591  | PRL048570-1050 | 1 uF 50V 20%         |
| C592  | PRL048570-1050 | 1 uF 50V 20%         |
| C593  | PRL048570-1050 | 1 uF 50V 20%         |
| C594  | PRL048570-1050 | 1 uF 50V 20%         |
| C595  | PRL048570-1050 | 1 uF 50V 20%         |
| C596  | PRL048570-1050 | 1 uF 50V 20%         |
| C598  | PRL048570-1050 | 1 uF 50V 20%         |
| C599  | PRL048570-4740 | 0.47 uF 50V 20%      |
| C900  | PME039540-2210 | 220 uF 16V 20%       |
| C901  | PYL456370-1040 | 0.1 uF 50V 5%        |
| C902  | PYL456370-1040 | 0.1 uF 50V 5%        |
| C903  | PME039540-2210 | 220 uF 16V 20%       |
| C904  | PYL456370-1040 | 0.1 uF 50V 5%        |
| C905  | PYL456370-1040 | 0.1 uF 50V 5%        |
| C906  | PME039540-2210 | 220 uF 16V 20%       |
| C907  | PME039540-4710 | 470 uF 16V 20%       |
| C908  | PYL410370-1020 | 1000 pF 50V 5%       |
| C909  | PME039540-4710 | 470 uF 16V 20%       |
| C910  | PME039540-2210 | 220 uF 16V 20%       |
| C911  | PME039540-2210 | 220 uF 16V 20%       |
| C912  | PYL410370-1020 | 1000 pF 50V 5%       |
| C928  | PYL456370-1040 | 0.1 uF 50V 5%        |
| C929  | PYL456370-1040 | 0.1 uF 50V 5%        |
| C930  | PYL456370-1040 | 0.1 uF 50V 5%        |
| C931  | PYL456370-1040 | 0.1 uF 50V 5%        |
| C934  | PYL439570-1040 | 0.1 uF 50V 20%       |
| C935  | PYL410370-2200 | 22 pF 50V 5%         |
| C936  | PYL439570-1040 | 0.1 uF 50V 20%       |
| C937  | PYL439570-1040 | 0.1 uF 50V 20%       |
| C938  | PVE039540-1020 | 1000 uF 16V 20% 85 C |
| C2015 | PYL456370-1040 | 0.1 uF 50V 5%        |
| C2016 | PYL410370-1020 | 1000 pF 50V 5%       |
| C2017 | PYL456370-1040 | 0.1 uF 50V 5%        |
| C2018 | PYL410370-1020 | 1000 pF 50V 5%       |
| C2019 | PME039540-1010 | 100 uF 16V 20%       |
| C2020 | PYL410370-1020 | 1000 pF 50V 5%       |
| C2021 | PYL456370-1040 | 0.1 uF 50V 5%        |
| C2022 | PYL410370-1020 | 1000 pF 50V 5%       |
| C2023 | PYL410370-1020 | 1000 pF 50V 5%       |
| C2024 | PYL456370-1040 | 0.1 uF 50V 5%        |
| C2025 | PYL410370-1020 | 1000 pF 50V 5%       |
| C2026 | PYL410370-1020 | 1000 pF 50V 5%       |
| C2027 | PYL456370-1040 | 0.1 uF 50V 5%        |
| C2028 | PYL456370-1040 | 0.1 uF 50V 5%        |
| C2029 | PYL456370-1040 | 0.1 uF 50V 5%        |
| C2030 | PYL410370-1020 | 1000 pF 50V 5%       |
| C2031 | PYL456370-1040 | 0.1 uF 50V 5%        |
| C2032 | PYL456370-1040 | 0.1 uF 50V 5%        |

|        |                |                 |
|--------|----------------|-----------------|
| C2033  | PYL410370-1020 | 1000 pF 50V 5%  |
| C2036  | PYL456370-1040 | 0.1 uF 50V 5%   |
| C2052  | PME039550-1010 | 100 uF 25V 20%  |
| C2053  | PYL456370-1040 | 0.1 uF 50V 5%   |
| C2056  | PYL410370-1020 | 1000 pF 50V 5%  |
| C2062  | PYL456370-1040 | 0.1 uF 50V 5%   |
| C2063  | PYL410370-1020 | 1000 pF 50V 5%  |
| C2064  | PYL456370-1040 | 0.1 uF 50V 5%   |
| C2065  | PYL410370-1020 | 1000 pF 50V 5%  |
| C2066  | PYL456370-1040 | 0.1 uF 50V 5%   |
| △C2073 | PVE039570-4720 | 4700 uF 50V 20% |
| C2074  | PRM0373A0-1040 | 0.1 uF 100V 5%  |
| C2076  | PYL456370-1040 | 0.1 uF 50V 5%   |
| C2079  | PME039550-1010 | 100 uF 25V 20%  |
| C2092  | PYL410370-3300 | 33 pF 50V 5%    |
| C2094  | PYL410370-3300 | 33 pF 50V 5%    |
| C2095  | PYL410370-1020 | 1000 pF 50V 5%  |
| C2096  | PYL456370-1040 | 0.1 uF 50V 5%   |
| C2164  | PYL410370-1020 | 1000 pF 50V 5%  |
| C2165  | PYL410370-1020 | 1000 pF 50V 5%  |
| C2175  | PYL456370-1040 | 0.1 uF 50V 5%   |
| C2175  | PYL456370-1040 | 0.1 uF 50V 5%   |
| C2176  | PYL410370-1020 | 1000 pF 50V 5%  |
| C2204  | PYL456370-1040 | 0.1 uF 50V 5%   |
| C2208  | PRL048570-1050 | 1 uF 50V 20%    |
| C2216  | PRD235470-1040 | 0.1 uF 50V 10%  |
| C2247  | PYL456370-1040 | 0.1 uF 50V 5%   |
| C2248  | PYL410370-1020 | 1000 pF 50V 5%  |
| C2249  | PYL410370-1020 | 1000 pF 50V 5%  |
| C2250  | PYL456370-1040 | 0.1 uF 50V 5%   |
| C2252  | PYL410370-1020 | 1000 pF 50V 5%  |
| C2253  | PYL456370-1040 | 0.1 uF 50V 5%   |
| C2254  | PYL410370-1020 | 1000 pF 50V 5%  |
| C2255  | PYL456370-1040 | 0.1 uF 50V 5%   |
| C2256  | PYL456370-1040 | 0.1 uF 50V 5%   |
| C2257  | PYL410370-1020 | 1000 pF 50V 5%  |
| C2258  | PYL456370-1040 | 0.1 uF 50V 5%   |
| C2259  | PYL410370-1020 | 1000 pF 50V 5%  |
| C2260  | PYL456370-1040 | 0.1 uF 50V 5%   |
| C2261  | PYL410370-1020 | 1000 pF 50V 5%  |
| C2262  | PYL410370-1020 | 1000 pF 50V 5%  |
| C2263  | PYL456370-1040 | 0.1 uF 50V 5%   |
| C2264  | PYL456370-1040 | 0.1 uF 50V 5%   |
| C2265  | PYL456370-1040 | 0.1 uF 50V 5%   |
| C2268  | PYL410370-1020 | 1000 pF 50V 5%  |
| C2269  | PYL410370-1020 | 1000 pF 50V 5%  |
| C2270  | PYL410370-1020 | 1000 pF 50V 5%  |
| C2271  | PYL456370-1040 | 0.1 uF 50V 5%   |
| C2272  | PYL410370-1020 | 1000 pF 50V 5%  |
| C2273  | PYL456370-1040 | 0.1 uF 50V 5%   |
| C2274  | PYL456370-1040 | 0.1 uF 50V 5%   |
| C2275  | PYL410370-1020 | 1000 pF 50V 5%  |
| C2276  | PYL456370-1040 | 0.1 uF 50V 5%   |
| C2277  | PYL456370-1040 | 0.1 uF 50V 5%   |
| C2278  | PYL410370-1020 | 1000 pF 50V 5%  |
| C2279  | PYL456370-1040 | 0.1 uF 50V 5%   |
| C2280  | PYL410370-1020 | 1000 pF 50V 5%  |
| C2281  | PYL456370-1040 | 0.1 uF 50V 5%   |
| C2282  | PYL456370-1040 | 0.1 uF 50V 5%   |
| C2283  | PYL456370-1040 | 0.1 uF 50V 5%   |
| C2284  | PYL456370-1040 | 0.1 uF 50V 5%   |

|       |                |                  |
|-------|----------------|------------------|
| C2285 | PYL410370-1020 | 1000 pF 50V 5%   |
| C2286 | PYL410370-1020 | 1000 pF 50V 5%   |
| C2287 | PYL410370-1020 | 1000 pF 50V 5%   |
| C2288 | PYL456370-1040 | 0.1 uF 50V 5%    |
| C2289 | PYL410370-1020 | 1000 pF 50V 5%   |
| C2290 | PYL456370-1040 | 0.1 uF 50V 5%    |
| C2291 | PYL410370-1020 | 1000 pF 50V 5%   |
| C2292 | PYL456370-1040 | 0.1 uF 50V 5%    |
| C2293 | PYL410370-1020 | 1000 pF 50V 5%   |
| C2294 | PYL456370-1040 | 0.1 uF 50V 5%    |
| C2295 | PYL456370-1040 | 0.1 uF 50V 5%    |
| C2296 | PYL410370-1020 | 1000 pF 50V 5%   |
| C2297 | PYL410370-1020 | 1000 pF 50V 5%   |
| C2297 | PYL456370-1040 | 0.1 uF 50V 5%    |
| C2298 | PYL456370-1040 | 0.1 uF 50V 5%    |
| C2299 | PYL456370-1040 | 0.1 uF 50V 5%    |
| C2300 | PYL456370-1040 | 0.1 uF 50V 5%    |
| C2301 | PYL410370-1020 | 1000 pF 50V 5%   |
| C2302 | PYL456370-1040 | 0.1 uF 50V 5%    |
| C2303 | PYL410370-1020 | 1000 pF 50V 5%   |
| C2304 | PYL410370-1020 | 1000 pF 50V 5%   |
| C2305 | PYL410370-1020 | 1000 pF 50V 5%   |
| C2306 | PYL456370-1040 | 0.1 uF 50V 5%    |
| C2307 | PYL410370-1020 | 1000 pF 50V 5%   |
| C5011 | PRL048570-4740 | 0.47 uF 50V 20%  |
| C5012 | PRL048570-4740 | 0.47 uF 50V 20%  |
| C5015 | PRD235470-1040 | 0.1 uF 50V 10%   |
| C5016 | PRD235470-1040 | 0.1 uF 50V 10%   |
| C5019 | PYL456450-1050 | 1uF 25V 10%      |
| C5020 | PYL456450-1050 | 1uF 25V 10%      |
| C5021 | PYL456450-1050 | 1uF 25V 10%      |
| C5022 | PYL456450-1050 | 1uF 25V 10%      |
| C5023 | PRD235470-1040 | 0.1 uF 50V 10%   |
| C5024 | PRD235470-1020 | 1000 pF 50V 10%  |
| C5031 | PZL456550-1050 | 1uF 25V 20% 1206 |
| C5032 | PZL456550-1050 | 1uF 25V 20% 1206 |
| C5033 | PZL456550-1050 | 1uF 25V 20% 1206 |
| C5034 | PZL456550-1050 | 1uF 25V 20% 1206 |
| C5035 | PZL456550-1050 | 1uF 25V 20% 1206 |
| C5036 | PZL456550-1050 | 1uF 25V 20% 1206 |
| C5037 | PZL456550-1050 | 1uF 25V 20% 1206 |
| C5038 | PZL456550-1050 | 1uF 25V 20% 1206 |
| C5039 | PZL456550-1050 | 1uF 25V 20% 1206 |
| C5040 | PZL456550-1050 | 1uF 25V 20% 1206 |
| C5041 | PZL456550-1050 | 1uF 25V 20% 1206 |
| C5042 | PZL456550-1050 | 1uF 25V 20% 1206 |

|       |                |               |
|-------|----------------|---------------|
| Diode |                |               |
| D1    | RAZ005004-0020 | 3.8-4.0V 0.5W |
| D100  | RAD114148-0010 | DIODE SW      |
| D101  | RAZ005007-0010 | 6.4-6.7V 0.5W |
| D102  | RAZ005007-0010 | 6.4-6.7V 0.5W |
| D103  | RAZ005007-0010 | 6.4-6.7V 0.5W |
| D104  | RAZ005007-0010 | 6.4-6.7V 0.5W |
| D105  | RAZ005007-0010 | 6.4-6.7V 0.5W |
| D106  | RAZ005007-0010 | 6.4-6.7V 0.5W |
| D107  | RAZ005007-0010 | 6.4-6.7V 0.5W |
| D108  | RAZ005007-0010 | 6.4-6.7V 0.5W |
| D400  | RAD114148-0010 | DIODE SW      |
| D404  | RAD114148-0010 | DIODE SW      |
| D405  | RAD114148-0010 | DIODE SW      |

|       |                |                  |
|-------|----------------|------------------|
| D406  | RAD114148-0010 | DIODE SW         |
| D407  | RAD114148-0010 | DIODE SW         |
| D408  | RAD114148-0010 | DIODE SW         |
| D409  | RAD114148-0010 | DIODE SW         |
| D410  | RAD114148-0010 | DIODE SW         |
| D411  | RAD114001-0010 | DIODE            |
| D412  | QAF025000-2790 | 2.7OHM 0.5W      |
| D910  | RAD115392-0010 | 1N5392 1.5A 100V |
| Z2001 | RAZ005005-0030 | 5.0-5.2V 0.5W    |
| ZD100 | RAZ005005-0030 | 5.0-5.2V 0.5W    |
| ZD401 | RAZ005003-0020 | 2.9-3.1V 0.5W    |
| ZD402 | RAZ005024-0020 | 23.6-24.7V 0.5W  |

|                      |                |                                |
|----------------------|----------------|--------------------------------|
| Intergranted Circuit |                |                                |
| IC100                | RCI290080-0001 | IC 40 PIN AM29F080B-90CE       |
| IC101                | RCI740004-0001 | IC 14 PIN TC74HC04AFN TOSHIBA  |
| IC102                | RCI740374-0002 | IC 20 PIN 74HC374              |
| IC103                | RCI006018-0001 | IC 208 PINES6018               |
| IC104                | RCI740374-0002 | IC 20 PIN 74HC374              |
| IC105                | RCI024002-0001 | IC 8 PIN AT24C02               |
| IC106                | RCI400160-0001 | IC 54 PIN 4MX16 Y3V TW StarRam |
| IC400                | RHI004052-0001 | IC 16 PIN TC4052BP             |
| IC401                | RCI004558-0001 | IC 8 PIN JRC4558D JRC          |
| IC402                | RCI280320-0001 | IC 28 PIN TLV320A IC23PW       |
| IC500                | RCI740126-0002 | IC 14 PIN 74LVT126 3.3V        |
| IC501                | RCI741250-0002 | IC 14 PIN 74LVT125 3.3V        |
| IC502                | RCI000304-0001 | IC 44 PIN STA304A              |
| △IC503               | RCI000505-0001 | IC 36 PIN STA505 50Wx2         |
| △IC504               | RCI000505-0001 | IC 36 PIN STA505 50Wx2         |
| IC505                | RCI000304-0001 | IC 44 PIN STA304A              |
| △IC506               | RCI000505-0001 | IC 36 PIN STA505 50Wx2         |
| △IC900               | RHI007805-0005 | IC 3 PIN BA05T ROHM            |
| △IC901               | RHI007805-0005 | IC 3 PIN BA05T ROHM            |
| △IC914               | RHI000330-0001 | IC 3 PIN BA033T 3.3V 1A ROHM   |

|            |                |                   |
|------------|----------------|-------------------|
| Transistor |                |                   |
| Q101       | RAN202001-0001 | 2SC2001L NEC      |
| Q102       | RAN200945-0001 | 2SC945P           |
| Q400       | RAN200945-0001 | 2SC945P           |
| Q401       | RAN202878-0001 | 2SC2878-A (TEI.M) |
| Q402       | RAN202878-0001 | 2SC2878-A (TEI.M) |
| Q403       | RAN202878-0001 | 2SC2878-A (TEI.M) |
| Q404       | RAP200733-0001 | 2SA733Q,P NEC     |
| Q900       | RAN200945-0001 | 2SC945P           |
| Q903       | RAP200733-0001 | 2SA733Q,P NEC     |
| Q904       | RAN200945-0001 | 2SC945P           |
| Q905       | RAP200733-0001 | 2SA733Q,P NEC     |
| Q906       | RAN200945-0001 | 2SC945P           |
| Q907       | RHP200772-0001 | 2SB772P/Q NEC     |
| Q908       | RAN200945-0001 | 2SC945P           |
| Q909       | RHP200772-0001 | 2SB772P/Q NEC     |
| Q2007      | RAN200945-0001 | 2SC945P           |

|          |                |                     |
|----------|----------------|---------------------|
| Resistor |                |                     |
| R1       | QCF015020-4730 | 47K OHM 1/10W 5%    |
| R2       | QAF065000-2220 | 2.2K OHM 1/6W 5% CF |
| R3       | QAF065000-2220 | 2.2K OHM 1/6W 5% CF |
| R41      | QCF015020-1010 | 100 OHM 1/10W 5%    |
| R42      | QCF015020-1010 | 100 OHM 1/10W 5%    |
| R103     | QCF015020-1220 | 1.2K OHM 1/10W 5%   |

R105 QCF015020-0000 0 OHM JUMP WIRE  
R107 QCF015020-0000 0 OHM JUMP WIRE  
R108 QCF015020-3010 300 OHM 1/10W 5%  
R109 QCF015020-4720 4.7K OHM 1/10W 5%  
R111 QCF015020-3300 33 OHM 1/10W 5%  
R112 QCF015020-3300 33 OHM 1/10W 5%  
R113 QCF015020-3300 33 OHM 1/10W 5%  
R114 QCF015020-4720 4.7K OHM 1/10W 5%  
R116 QCF015020-4720 4.7K OHM 1/10W 5%  
R118 QCF015020-4720 4.7K OHM 1/10W 5%  
R120 QCF015020-4720 4.7K OHM 1/10W 5%  
R121 QCF015020-1020 1K OHM 1/10W 5%  
R122 QCF015020-3300 33 OHM 1/10W 5%  
R123 QCF015020-3300 33 OHM 1/10W 5%  
R124 QCF015020-3300 33 OHM 1/10W 5%  
R125 QCF015020-3300 33 OHM 1/10W 5%  
R126 QCF015020-3300 33 OHM 1/10W 5%  
R129 QCF015020-2710 270 OHM 1/10W 5%  
R130 QCF015020-1020 1K OHM 1/10W 5%  
R131 QCF015020-7500 75 OHM 1/10W 5%  
R132 QCF015020-7500 75 OHM 1/10W 5%  
R133 QCF015020-7500 75 OHM 1/10W 5%  
R134 QCF015020-7500 75 OHM 1/10W 5%  
R135 QCF015020-0000 0 OHM JUMP WIRE  
R137 QCF015020-3300 33 OHM 1/10W 5%  
R139 QCF015020-3300 33 OHM 1/10W 5%  
R143 QCF015020-0000 0 OHM JUMP WIRE  
R144 QCF015020-4720 4.7K OHM 1/10W 5%  
R145 QCF015020-4720 4.7K OHM 1/10W 5%  
R146 QCF015020-0000 0 OHM JUMP WIRE  
R147 QCF015020-3300 33 OHM 1/10W 5%  
R148 QCF015020-3300 33 OHM 1/10W 5%  
R149 QCF015020-3300 33 OHM 1/10W 5%  
R150 QCF015020-3300 33 OHM 1/10W 5%  
R151 QCF015020-3300 33 OHM 1/10W 5%  
R152 QCF015020-3300 33 OHM 1/10W 5%  
R154 QCF015020-3300 33 OHM 1/10W 5%  
R155 QCF015020-3300 33 OHM 1/10W 5%  
R156 QCF015020-3300 33 OHM 1/10W 5%  
R157 QCF015020-3300 33 OHM 1/10W 5%  
R158 QCF015020-3300 33 OHM 1/10W 5%  
R159 QCF015020-3310 330 OHM 1/10W 5%  
R160 QCF015020-3300 33 OHM 1/10W 5%  
R161 QCF015020-3300 33 OHM 1/10W 5%  
R162 QCF015020-3300 33 OHM 1/10W 5%  
R163 QCF015020-4700 47 OHM 1/10W 5%  
R164 QCF015020-3300 33 OHM 1/10W 5%  
R171 QCF015020-2230 22K OHM 1/10W 5%  
R172 QCF015020-4730 47K OHM 1/10W 5%  
R177 QCF015020-1000 10 OHM 1/10W 5%  
R178 QCF015020-3300 33 OHM 1/10W 5%  
R179 QCF015020-3300 33 OHM 1/10W 5%  
R180 QCF015020-1020 1K OHM 1/10W 5%  
R181 QCF015020-3320 3.3K OHM 1/10W 5%  
R182 QCF015020-1020 1K OHM 1/10W 5%  
R183 QCF015020-4720 4.7K OHM 1/10W 5%  
R184 QCF015020-4720 4.7K OHM 1/10W 5%  
R185 QCF015020-4720 4.7K OHM 1/10W 5%  
R186 QCF015020-4720 4.7K OHM 1/10W 5%  
R187 QCF015020-1000 10 OHM 1/10W 5%  
R189 QCF015020-3300 33 OHM 1/10W 5%

R191 QCF015020-0000 0 OHM JUMP WIRE  
R193 QCF015020-0000 0 OHM JUMP WIRE  
R248 QCF015020-2230 22K OHM 1/10W 5%  
R400 QCF015020-2010 200 OHM 1/10W 5%  
R401 QCF015020-1010 100 OHM 1/10W 5%  
R402 QCF015020-4720 4.7K OHM 1/10W 5%  
R403 QCF015020-1010 100 OHM 1/10W 5%  
R404 QCF015020-1010 100 OHM 1/10W 5%  
R405 QCF015020-1530 15K OHM 1/10W 5%  
R406 QCF015020-1530 15K OHM 1/10W 5%  
R407 QCF015020-1530 15K OHM 1/10W 5%  
R408 QCF015020-1530 15K OHM 1/10W 5%  
R409 QCF015020-1030 10K OHM 1/10W 5%  
R410 QCF015020-1010 100 OHM 1/10W 5%  
R411 QCF015020-1520 1.5K OHM 1/10W 5%  
R412 QCF015020-1020 1K OHM 1/10W 5%  
R413 QCF015020-1020 1K OHM 1/10W 5%  
R414 QCF015020-1010 100 OHM 1/10W 5%  
R415 QCF015020-1010 100 OHM 1/10W 5%  
R417 QCF015020-1530 15K OHM 1/10W 5%  
R418 QCF015020-1530 15K OHM 1/10W 5%  
R419 QCF015020-1030 10K OHM 1/10W 5%  
R420 QCF015020-4720 4.7K OHM 1/10W 5%  
R421 QCF015020-1030 10K OHM 1/10W 5%  
R424 QCF015020-0000 0 OHM JUMP WIRE  
R425 QCF015020-5630 56K OHM 1/10W 5%  
R427 QCF015020-1530 15K OHM 1/10W 5%  
R428 QCF015020-1530 15K OHM 1/10W 5%  
R429 QCF015020-1030 10K OHM 1/10W 5%  
R430 QCF015020-4720 4.7K OHM 1/10W 5%  
R431 QCF015020-1020 1K OHM 1/10W 5%  
R432 QCF015020-4720 4.7K OHM 1/10W 5%  
R433 QCF015020-4720 4.7K OHM 1/10W 5%  
R434 QCF015020-4720 4.7K OHM 1/10W 5%  
R435 QCF015020-4720 4.7K OHM 1/10W 5%  
R436 QCF015020-1020 1K OHM 1/10W 5%  
R439 QCF015020-4720 4.7K OHM 1/10W 5%  
R440 QCF015020-4710 470 OHM 1/10W 5%  
R441 QCF015020-4710 470 OHM 1/10W 5%  
R442 QCF015020-4730 47K OHM 1/10W 5%  
R443 QCF015020-4720 4.7K OHM 1/10W 5%  
R444 QCF015020-1030 10K OHM 1/10W 5%  
R446 QCF015020-4720 4.7K OHM 1/10W 5%  
R448 QCF015020-4720 4.7K OHM 1/10W 5%  
R449 QCF015020-4720 4.7K OHM 1/10W 5%  
R500 QCF015020-4720 4.7K OHM 1/10W 5%  
R501 QCF015020-1050 1M OHM 1/10W 5%  
R502 QCF015020-1030 10K OHM 1/10W 5%  
R503 QCF015020-1030 10K OHM 1/10W 5%  
R504 QCF015020-1030 10K OHM 1/10W 5%  
R505 QCF045010-2200 22 OHM 1/4W 5%  
R506 QCF045010-2200 22 OHM 1/4W 5%  
R507 QCF045010-2200 22 OHM 1/4W 5%  
R508 QCF045010-6290 6.2 OHM 1/4W 5%  
R509 QCF045010-6290 6.2 OHM 1/4W 5%  
R510 QCF045010-6290 6.2 OHM 1/4W 5%  
R511 QCF045010-6290 6.2 OHM 1/4W 5%  
R512 QCF045010-6290 6.2 OHM 1/4W 5%  
R513 QCF045010-6290 6.2 OHM 1/4W 5%  
R514 QCF045010-6290 6.2 OHM 1/4W 5%  
R515 QCF015020-4720 4.7K OHM 1/10W 5%

R516 QCF015020-4730 47K OHM 1/10W 5%  
R517 QCF015020-4730 47K OHM 1/10W 5%  
R518 QCF015020-1030 10K OHM 1/10W 5%  
R519 QCF045010-2200 22 OHM 1/4W 5%  
R520 QCF045010-2200 22 OHM 1/4W 5%  
R521 QCF045010-2200 22 OHM 1/4W 5%  
R522 QCF045010-6290 6.2 OHM 1/4W 5%  
R524 QCF045010-6290 6.2 OHM 1/4W 5%  
R525 QCF045010-6290 6.2 OHM 1/4W 5%  
R526 QCF045010-6290 6.2 OHM 1/4W 5%  
R527 QCF015020-1030 10K OHM 1/10W 5%  
R528 QCF015020-1030 10K OHM 1/10W 5%  
R529 QCF015020-2020 2K OHM 1/10W 5%  
R530 QCF015020-2020 2K OHM 1/10W 5%  
R531 QCF015020-1030 10K OHM 1/10W 5%  
R532 QCF015020-1030 10K OHM 1/10W 5%  
R533 QCF015020-1020 1K OHM 1/10W 5%  
R534 QCF015020-1010 100 OHM 1/10W 5%  
R900 QCF015020-1030 10K OHM 1/10W 5%  
R901 QCF015020-1030 10K OHM 1/10W 5%  
R902 QCF015020-2230 22K OHM 1/10W 5%  
R903 QCF015020-1020 1K OHM 1/10W 5%  
R905 QCF015020-1030 10K OHM 1/10W 5%  
R906 QCF015020-1030 10K OHM 1/10W 5%  
R907 QCF015020-2230 22K OHM 1/10W 5%  
R908 QCF015020-1020 1K OHM 1/10W 5%  
R919 QCF015020-1030 10K OHM 1/10W 5%  
R920 QCF015020-1030 10K OHM 1/10W 5%  
R921 QCF015020-2230 22K OHM 1/10W 5%  
R922 QCF015020-5610 560 OHM 1/10W 5%  
R924 QCF015020-1030 10K OHM 1/10W 5%  
R925 QCF015020-2230 22K OHM 1/10W 5%  
R926 QCF015020-1020 1K OHM 1/10W 5%  
R996 QCF015020-1030 10K OHM 1/10W 5%  
R2018 QCF015020-1030 10K OHM 1/10W 5%  
R2061 QCF015020-1520 1.5K OHM 1/10W 5%  
R2108 QCF015020-3300 33 OHM 1/10W 5%

3-2-2 SUBWOOFER SECTION

AMP & JACK SECTION

| Misellaneous   |                              |                         |
|----------------|------------------------------|-------------------------|
| LVM100199-0001 | MAIN PCB                     |                         |
| LVM100199-0011 | MAIN PCB                     |                         |
| LVM100199-0021 | JACK PCB                     |                         |
| VWT130121-0420 | 2P 420mmRD/BK B:STP4ForCN501 |                         |
| DHU201001-0001 | OD6xID3xH2.5mm ForIC501      |                         |
| CN301          | CCN200000-0104               | 4 PIN PITCH=2.0mm       |
| CN401          | CCN250000-0102               | B2B-XH-A 2 PIN          |
| CN402          | CCN250000-0102               | B2B-XH-A 2 PIN          |
| CN905          | VFL411245-2000               | 4P 200mm2468#26 BLK     |
| △F902          | CFC011000-1001               | DIA5xL20mm FUSE         |
| △F902          | KSA020400-0030               | 4A 250V SLOW            |
| △F903          | KSA020400-0030               | 4A 250V SLOW            |
| △F903          | CFC011000-1001               | DIA5xL20mm FUSE         |
| RB301          | VWA200036-0003               | 4P 110mm 2854#28&30 BRN |
| RB401          | CCN200000-0502               | 2 PIN PITCH=2.0mm       |
| RB402          | CCN200000-0502               | 2 PIN PITCH=2.0 mm      |
| RB904          | CCN3960-0103                 | 3 PIN PITCH=3.96mm      |
| SW301          | MSW004020-0010               | 2P2T K22F24             |

| Capacitor |                |                      |
|-----------|----------------|----------------------|
| C301      | PRD113370-1010 | 100 pF 50V 5%        |
| C302      | PME039570-1090 | 1uF 50V 20%          |
| C303      | PME039570-1090 | 1uF 50V 20%          |
| C304      | PME039570-1090 | 1uF 50V 20%          |
| C305      | PRM0373A0-2240 | 0.22 uF 100V 5%      |
| C306      | PRM0373A0-2240 | 0.22 uF 100V 5%      |
| C351      | PME039570-2240 | 2.2 uF 50V 20%       |
| C352      | PRD339670-1040 | 0.1uF 50V +80-20%    |
| C353      | PRD113370-4700 | 47 pF 50V 5%         |
| C354      | PME039570-4790 | 4.7 uF 50V 20%       |
| C355      | PRD113370-4700 | 47 pF 50V 5%         |
| C356      | PME039540-1010 | 100 uF16V 20%        |
| C357      | PME039540-2210 | 220 uF 16V 20%       |
| C358      | PME039560-2200 | 22 uF 35V 20%        |
| C359      | PRC339670-1040 | 0.1 uF 50V +80-20%   |
| C360      | PME039540-2210 | 220 uF 16V 20%       |
| C361      | PVE039550-1020 | 1000 uF 25V 20% 85°C |
| C362      | PRD49670-2230  | 0.022 uF 50V +80-20% |
| C363      | PME039570-4790 | 4.7 uF 50V 20%       |
| C364      | PRD339670-1040 | 0.1 uF 50V +80-20%   |
| C365      | PME039540-1010 | 100 uF 16V 20%       |
| C401      | PRD113370-1010 | 100 pF 50V 5%        |
| C402      | PRM0373A0-1230 | 0.012uF 100V 5%      |
| C403      | PRM0373A0-6830 | 0.068 uF 100V 5%     |
| C404      | PRM0373A0-6830 | 0.068 uF 100V 5%     |
| C405      | PRM0373A0-3330 | 0.033 uF 100V 5%     |
| C406      | PRM0373A0-6820 | 0.0068 uF 100V 5%    |
| C407      | PME039570-1090 | 1 uF 50V 20%         |
| C410      | PME039540-1010 | 100 uF 16V 20%       |
| C411      | PME039540-1010 | 100 uF 16V 20%       |
| C412      | PRD249670-2230 | 0.022 uF 50V +80-20% |
| C413      | PRD249670-2230 | 0.022 uF 50V +80-20% |
| C414      | PRD249670-2240 | 0.22uF 50V +80-20%   |

|      |                |                     |
|------|----------------|---------------------|
| C415 | PRD249670-2240 | 0.22 uF 50V +80-20% |
| C418 | PRD235470-2010 | 200 pF 50V 10%      |
| C419 | PRD235470-2010 | 200 pF 50V 10%      |
| C502 | PME039570-2290 | 2.2 uF 50V 20%      |
| C503 | PME039570-2290 | 2.2 uF 50V 20%      |
| C504 | PME039570-1000 | 10 uF 50V 20%       |
| C505 | PME039570-1000 | 10 uF 50V 20%       |
| C506 | PRM0373A0-1040 | 0.1 uF 100V 5%      |
| C507 | PRM0373A0-1020 | 0.001 uF 100V 5%    |
| C508 | PRD113370-3000 | 30 pF 50V 5%        |
| C509 | PRD113370-1010 | 100 pF 50V 5%       |
| C510 | PRM0373A0-1040 | 0.1 uF 100V 5%      |
| C511 | PME039560-2200 | 22 uF 35V 20%       |
| C512 | PME039550-2200 | 22 uF 25V 20%       |
| C513 | PME039550-2200 | 22 uF 25V 20%       |
| C514 | PME039570-1000 | 10 uF 50V 20%       |
| C515 | PME039570-1000 | 10 uF 50V 20%       |
| C517 | PRM0373A0-2240 | 0.22 uF 100V 5%     |
| C518 | PME039550-2200 | 22 uF 25V 20%       |
| C905 | PVE039580-4720 | 4700 uF 63V 20%     |
| C906 | PVE039580-4720 | 4700 uF 63V 20%     |
| C907 | PRD339670-1040 | 0.1 uF 50V +80-20%  |
| C908 | PRD339670-1040 | 0.1 uF 50V +80-20%  |
| C909 | PRD339670-1040 | 0.1 uF 50V +80-20%  |
| C910 | PRD339670-1040 | 0.1 uF 50V +80-20%  |
| C913 | PRD2485M0-1030 | 0.01 uF 500V 20%    |
| C914 | PRD2485M0-1030 | 0.01 uF 500V 20%    |
| C915 | PRD339670-1040 | 0.1 uF 50V +80-20%  |
| C917 | PME039550-1010 | 100 uF 25V 20%      |
| C919 | PME039550-1010 | 100 uF 25V 20%      |

| Diode |                |                 |
|-------|----------------|-----------------|
| D301  | RAD114148-0010 | DIODE SW        |
| D302  | RAD114148-0010 | DIODE SW        |
| D303  | RAD114148-0010 | DIODE           |
| D304  | RAD114148-0010 | DIODE           |
| D305  | RAD114148-0010 | DIODE SW        |
| D306  | RAD114148-0010 | DIODE SW        |
| D501  | RAD114148-0010 | DIODE SW        |
| DB901 | RHD204010-0011 | 4A 100V UL      |
| ZD301 | RAZ005009-0020 | 9.1-9.5V 0.5W   |
| ZD901 | RAZ005015-0020 | 14.5-15.1V 0.5W |
| ZD902 | RAZ005015-0020 | 14.5-15.1V 0.5W |

| Integrated circuits |                |              |
|---------------------|----------------|--------------|
| IC301               | RHI004558-0001 | JRC4558D JRC |
| IC401               | RH1003240-0001 | LM324N       |
| IC501               | RHI007293-0001 | TDA7293      |
| IC502               | RHI004558-0001 | JRC4558D JRC |

| Jumper |                |              |
|--------|----------------|--------------|
| JK301  | CJR001101-0010 | 1P BLACK     |
| JW101  | XJP220000-0001 | 22 GA TINNED |
| JW102  | XJP220000-0001 | 22 GA TINNED |
| JW103  | XJP220000-0001 | 22 GA TINNED |
| JW104  | XJP220000-0001 | 22 GA TINNED |

|       |                |                     |
|-------|----------------|---------------------|
| JW105 | XJP220000-0001 | 22 GA TINNED        |
| JW106 | XJP220000-0001 | 22 GA TINNED        |
| JW107 | XJP220000-0001 | 22 GA TINNED        |
| JW109 | XJP220000-0001 | 22 GA TINNED        |
| JW110 | XJP220000-0001 | 22 GA TINNED        |
| JW111 | XJP220000-0001 | 22 GA TINNED        |
| JW112 | QAF065000-7520 | 7.5K OHM 1/6W 5% CF |
| JW113 | XJP220000-0001 | 22 GA TINNED        |

| Transistor |                |         |
|------------|----------------|---------|
| Q301       | RAN200945-0001 | 2SC945P |
| Q302       | RAN200945-0001 | 2SC945P |
| Q303       | RAN200945-0001 | 2SC945P |
| Q304       | RAN200945-0001 | 2SC945P |
| Q305       | RAN200945-0001 | 2SC945P |
| Q306       | RAN200945-0001 | 2SC945P |
| Q501       | RAN200945-0001 | 2SC945P |
| Q502       | RAN200945-0001 | 2SC945P |

| Resistor |                |                      |
|----------|----------------|----------------------|
| R301     | QAF065000-1230 | 12K OHM 1/6W 5% CF   |
| R302     | QAF065000-6820 | 6.8K OHM 1/6W 5% CF  |
| R303     | QAF065000-1030 | 10K OHM 1/6W 5% CF   |
| R304     | QAF065000-6820 | 6.8K OHM 1/6W 5% CF  |
| R305     | QAF065000-4730 | 47K OHM 1/6W 5% CF   |
| R351     | QAF065000-1040 | 100K OHM 1/6W 5% CF  |
| R352     | QAF065000-1040 | 100K OHM 1/6W 5% CF  |
| R353     | QAF065000-4720 | 4.7K OHM 1/6W 5% CF  |
| R354     | QAF065000-2020 | 2K OHM 1/6W 5% CF    |
| R355     | QAF065000-2250 | 2.2K OHM 1/6W 5% CF  |
| R356     | QAF065000-1030 | 10K OHM 1/6W 5% CF   |
| R357     | QAF065000-5600 | 56 OHM 1/6W 5% CF    |
| R358     | QAF065000-2740 | 270K OHM 1/6W 5% CF  |
| R359     | QAF065000-2740 | 270K OHM 1/6W 5% CF  |
| R360     | QAF065000-1030 | 10K OHM 1/6W 5% CF   |
| R361     | QAF065000-1030 | 10K OHM 1/6W 5% CF   |
| R362     | QAF065000-1020 | 1K OHM 1/6W 5% CF    |
| R363     | QAF065000-5640 | 560K OHM 1/6W 5% CF  |
| R364     | QAF065000-2240 | 220K OHM 1/6W 5% CF  |
| R365     | QAF065000-1050 | 1.0M OHM 1/6W 5% C F |
| R366     | QAF065000-6840 | 680K OHM 1/6W 5% CF  |
| R367     | QAF065000-8230 | 82K OHM 1/6W 5% CF   |
| R368     | QAF065000-6840 | 680K OHM 1/6W 5% CF  |
| R369     | QAF065000-1030 | 10K OHM 1/6W 5% CF   |
| R370     | QAF065000-7520 | 7.5K OHM 1/6W 5% CF  |
| R371     | QAF065000-1030 | 10K OHM 1/6W 5% CF   |
| R372     | QAF065000-1010 | 100 OHM 1/6W 5% CF   |
| R373     | QAF065000-1030 | 10K OHM 1/6W 5% CF   |
| R374     | QAF065000-1020 | 1K OHM 1/6W 5% CF    |
| R376     | QAF065000-1030 | 10K OHM 1/6W 5% CF   |
| R377     | QAF065000-5130 | 51K OHM 1/6W 5% CF   |
| R378     | QAF065000-3330 | 33K OHM 1/6W 5% CF   |
| R379     | QAF045000-1010 | 100 OHM 1/4W 5% CF   |
| R380     | QAF065000-1030 | 10K OHM 1/6W 5% CF   |
| R381     | QAF065000-8230 | 82K OHM 1/6W 5% CF   |
| R382     | QAF065000-4720 | 4.7K OHM 1/6W 5% CF  |

|      |                |                      |
|------|----------------|----------------------|
| R383 | QAF065000-1010 | 100 OHM 1/6W 5% CF   |
| R384 | QAF065000-1020 | 1K OHM 1/6W 5% CF    |
| R401 | QAF065000-1540 | 150K OHM 1/6W 5% CF  |
| R401 | QAF065000-1050 | 1.0M OHM 1/6W 5% CF  |
| R402 | QAF065000-1030 | 10K OHM 1/6W 5% CF   |
| R403 | QAF065000-1830 | 18K OHM 1/6W 5% CF   |
| R404 | QAF065000-1050 | 1.0M OHM 1/6W 5% CF  |
| R404 | QAF065000-1540 | 150K OHM 1/6W 5% CF  |
| R405 | QAF065000-3820 | 3.8K OHM 1/6W 5% CF  |
| R406 | QAF065000-1830 | 18K OHM 1/6W 5% CF   |
| R407 | QAF065000-1830 | 18K OHM1/6W 5% CF    |
| R410 | QAF065000-1010 | 100 OHM 1/6W 5% CF   |
| R411 | QAF065000-1010 | 100 OHM 1/6W 5% CF   |
| R502 | QAF065000-1020 | 1K OHM 1/6W 5% CF    |
| R505 | QAF065000-4720 | 4.7K OHM 1/6W 5% CF  |
| R506 | QAF065000-3930 | 39K OHM 1/6W 5% CF   |
| R507 | QAF065000-2040 | 200K OHM 1/6W 5% CF  |
| R508 | QAF065000-1050 | 1.0M OHM 1/6W 5% CF  |
| R509 | QAF065000-1030 | 10K OHM 1/6W 5% CF   |
| R510 | QAF065000-4730 | 47K OHM 1/6W 5% CF   |
| R511 | QAF065000-1050 | 1.0M OHM 1/6W 5% CF  |
| R512 | QAF065000-1830 | 18K OHM 1/6W 5% CF   |
| R513 | QAF065000-1020 | 1K OHM 1/6W 5% CF    |
| R514 | QAF065000-1240 | 120K OHM 1/6W 5% CF  |
| R515 | QAF065000-1030 | 10K OHM 1/6W 5% CF   |
| R516 | QAF065000-1030 | 10K OHM 1/6W 5% CF   |
| R517 | QAF065000-2230 | 22K 1/6W 5% CF       |
| R518 | QAF065000-7510 | 750K OHM 1/6W 5% CF  |
| R519 | QAF065000-1030 | 10K OHM 1/6W 5% CF   |
| R520 | QAF065000-4730 | 47K OHM 1/6W 5% CF   |
| R521 | QAF065000-2230 | 22K 1/6W 5% CF       |
| R522 | QAF065000-3330 | 33K OHM 1/6W 5% CF   |
| R523 | QAF065000-1030 | 10K OHM 1/6W 5% CF   |
| R524 | QAF065000-4790 | 4.7K OHM 1/6W 5% CF  |
| R525 | QAF065000-2230 | 22K 1/6W 5% CF       |
| R526 | QAF065000-1030 | 10K OHM 1/6W 5% CF   |
| R902 | QDO305000-1020 | 1K OHM 3W 5% MO MIN  |
| R903 | QDO305000-6210 | 620 OHM 3W 5% MO MIN |
| R904 | QAF065000-4720 | 4.7K OHM 1/6W 5% CF  |
| R905 | QAF065000-4720 | 4.7K OHM 1/6W 5% CF  |

POWER SECTION

| Misellaneous   |                              |                      |
|----------------|------------------------------|----------------------|
| LVP100200-0001 | POWER PCB                    |                      |
| VFL201314-5500 | CON/WIRE For Cn401           |                      |
| DCR030001-0001 | ID19.6xW11xH5.5mmUL For F901 |                      |
| CN901          | CCN396021-0104               | 4 PIN P=3.69mm       |
| △F901          | KSA020200-0110               | 2A 250V SLOW         |
| RB902          | CCN396021-0104               | 4 PIN P=3.69mm       |
| RB905          | CCN200000-0104               | 4 PIN PITCH=2.0mm    |
| △RL901         | MRL012004-0011               | GJ-SH-112DM          |
| △T902          | TTA123011-0010               | 230V 50Hz EI28 AXIAL |

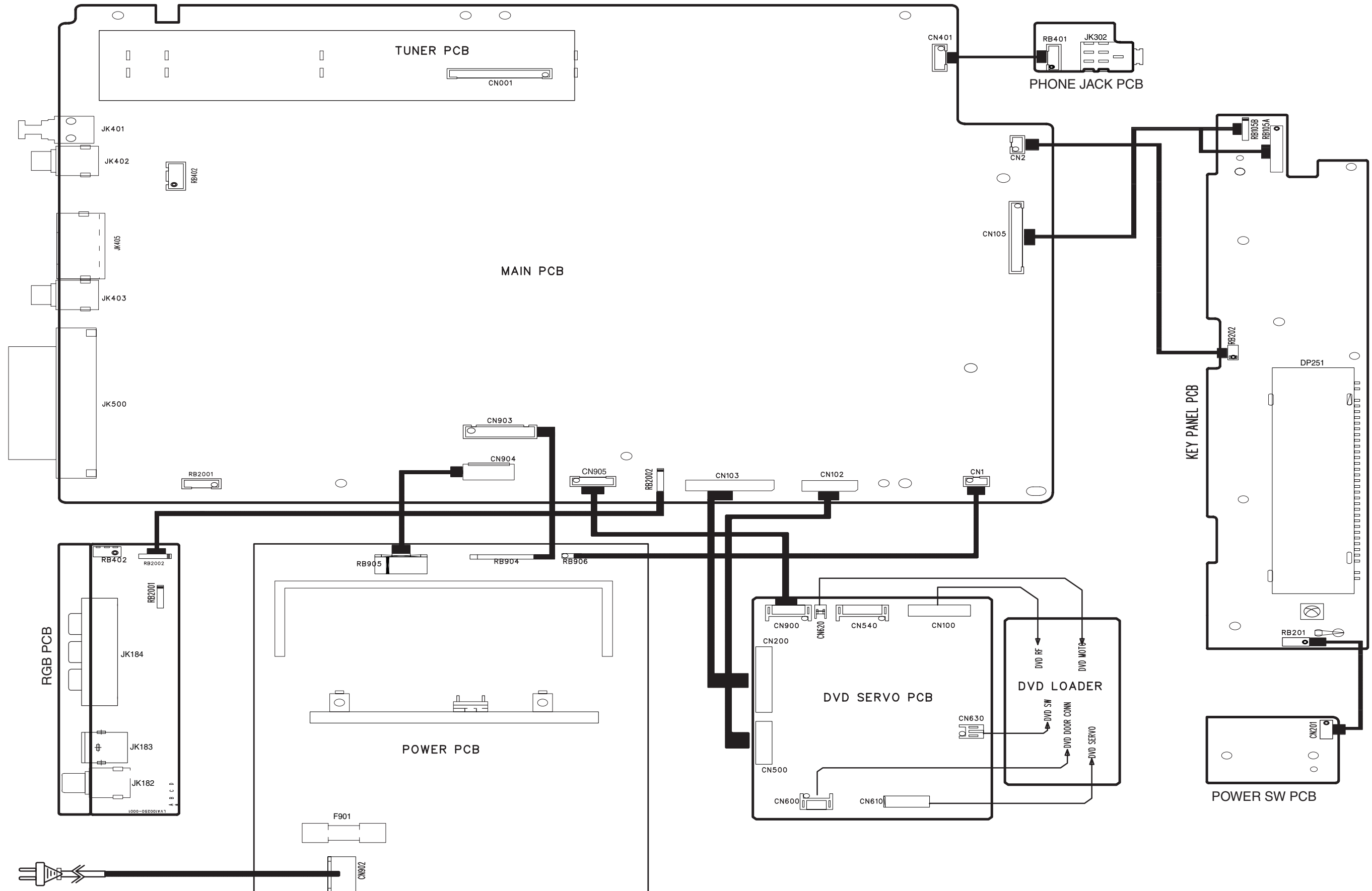
| Capacitor |                |                 |
|-----------|----------------|-----------------|
| C901      | PVY2705F0-1031 | 0.01uF 250V 20% |

| Diode |                |       |
|-------|----------------|-------|
| D901  | RAD114001-0010 | DIODE |
| D902  | RAD114001-0010 | DIODE |
| D903  | RAD114001-0010 | DIODE |



# SCHEMATIC, CIRCUIT BOARD AND BLOCK DIAGRAMS

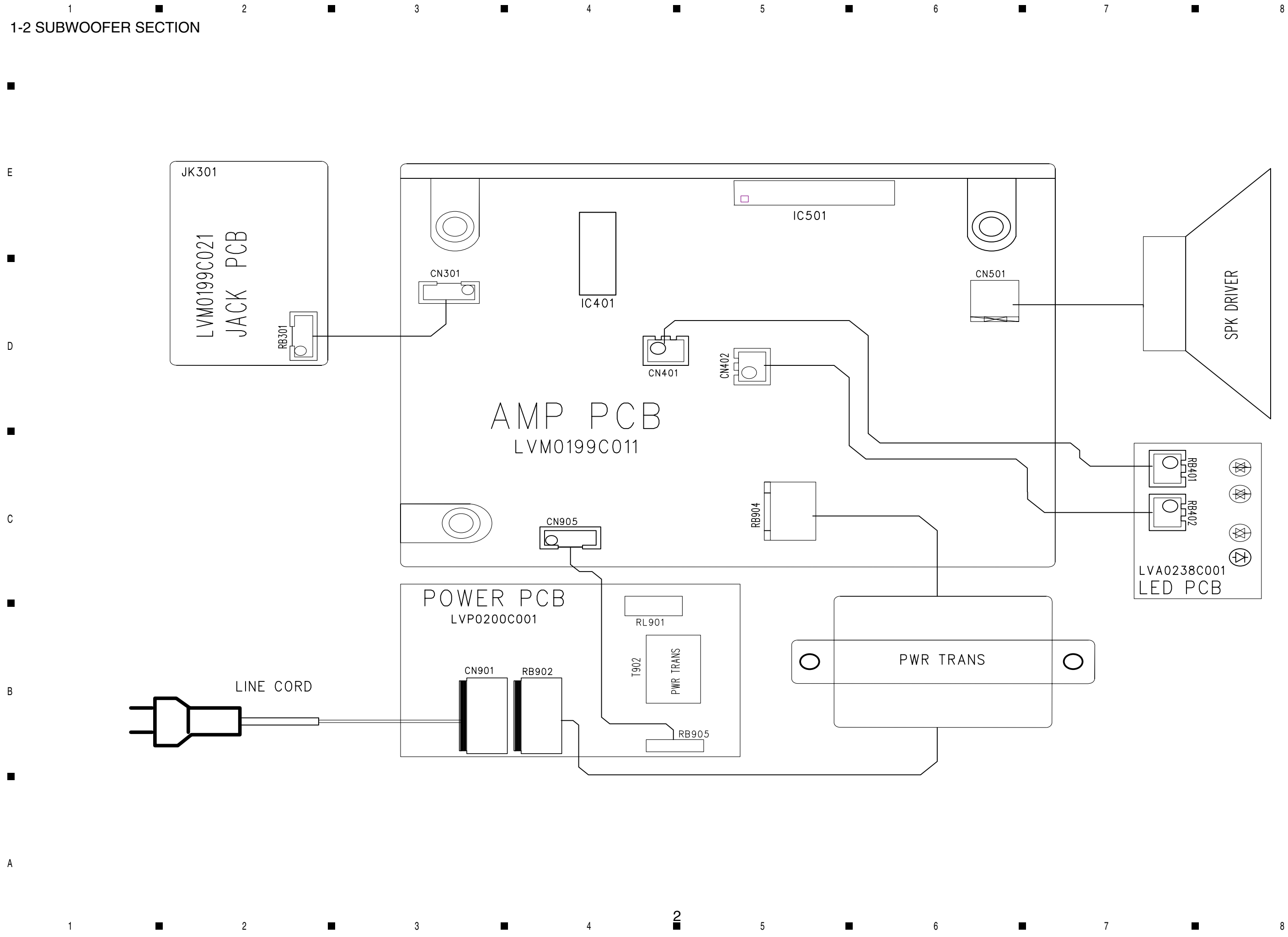
## 1 WIRING DIAGRAMS 1-1 MAIN UNIT SECTION



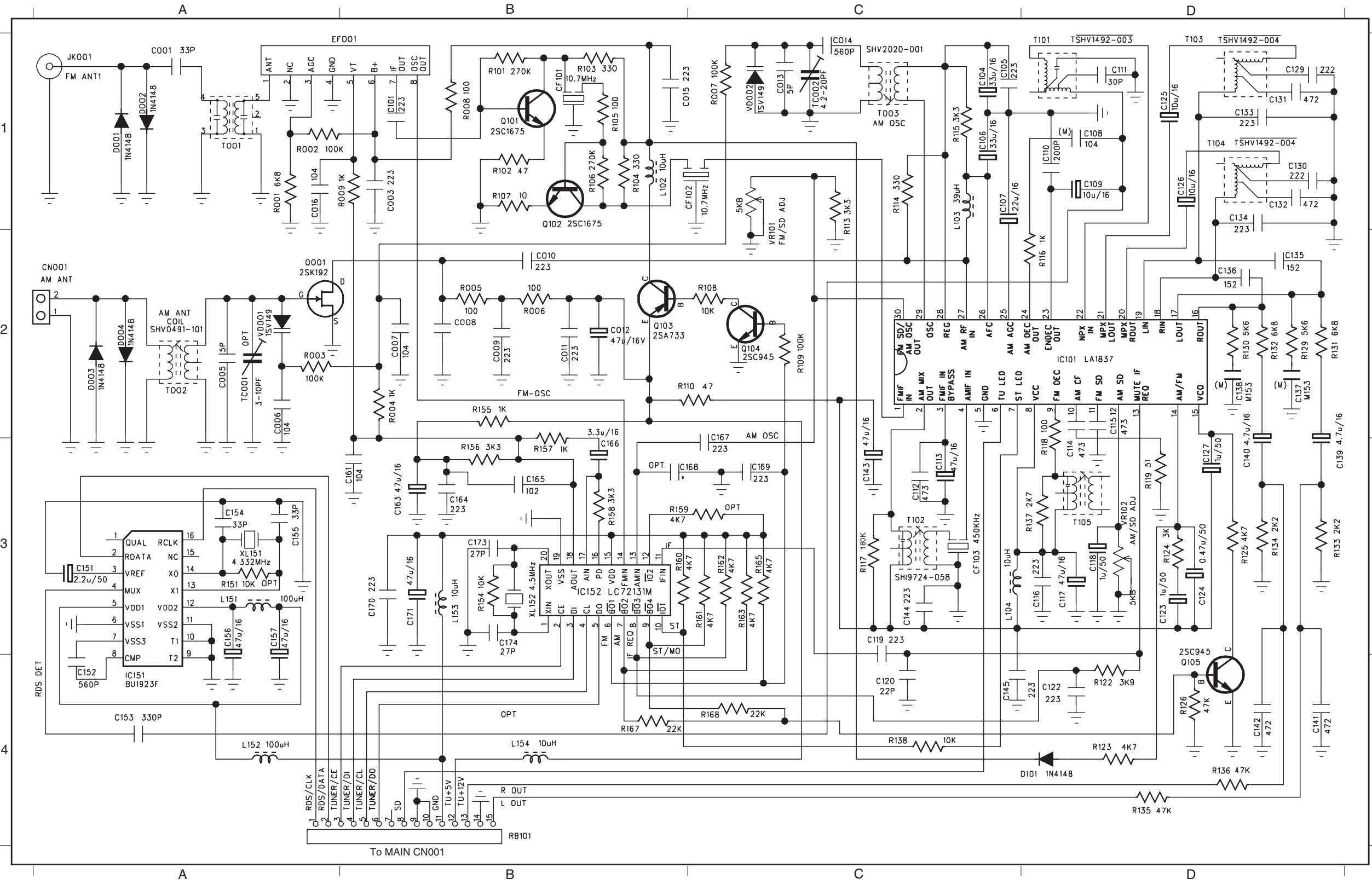
1 2 3 4 5 6 7 8

E  
D  
C  
B  
A

1-2 SUBWOOFER SECTION



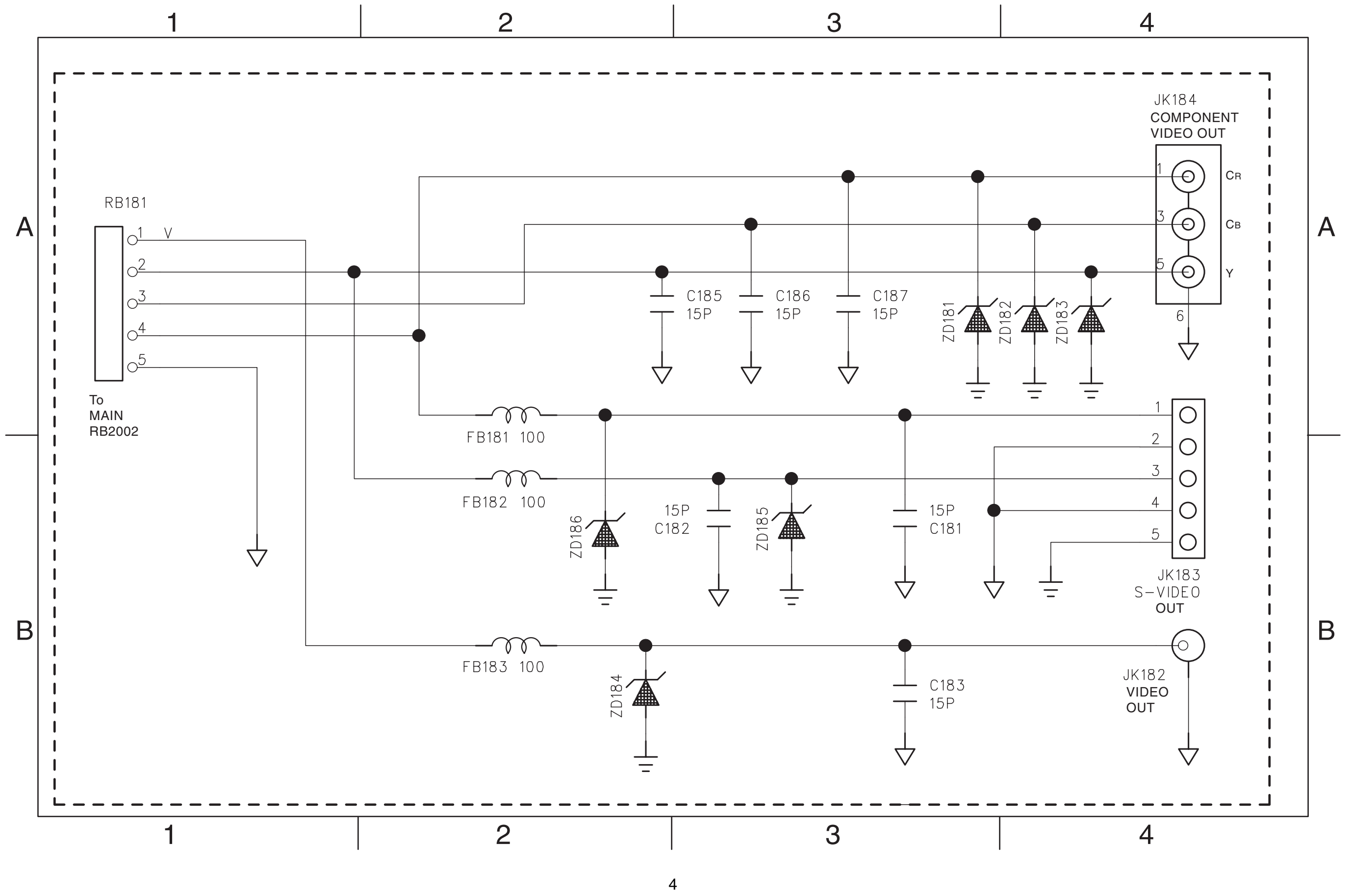
2 SCHEMATIC DIAGRAMS  
 2-1 MAIN UNIT SECTION  
 TUNER SCHEMATIC DIAGRAM



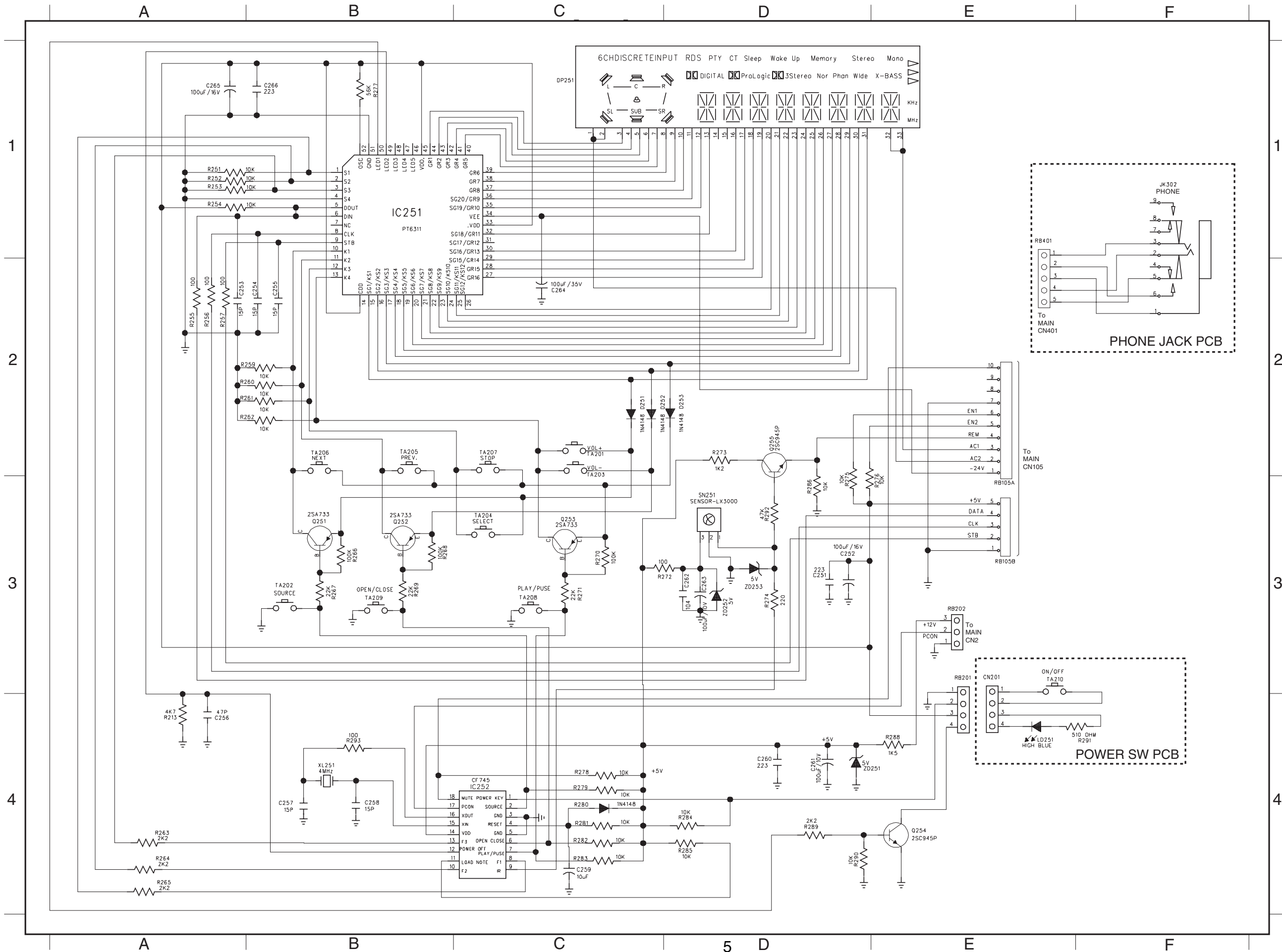
|      |    |       |    |       |    |
|------|----|-------|----|-------|----|
| C001 | A1 | C161  | B3 | R122  | D4 |
| C003 | B1 | C163  | B3 | R123  | D4 |
| C005 | A2 | C164  | B3 | R124  | D3 |
| C006 | A2 | C165  | B3 | R125  | D3 |
| C007 | B2 | C166  | B3 | R126  | D4 |
| C008 | B2 | C167  | C3 | R129  | D2 |
| C009 | B2 | C169  | C3 | R130  | D2 |
| C010 | B2 | C170  | B3 | R131  | D2 |
| C011 | B2 | C171  | B3 | R133  | D3 |
| C012 | B2 | C173  | B3 | R134  | D3 |
| C013 | C1 | C174  | B3 | R135  | D4 |
| C014 | C1 | CF101 | B1 | R136  | D4 |
| C015 | B1 | CF102 | C1 | R137  | D3 |
| C016 | A1 | CF103 | B3 | R138  | C4 |
| C101 | B1 | CN001 | A2 | R151  | A3 |
| C104 | C1 | D101  | D4 | R154  | B3 |
| C105 | C1 | D001  | A1 | R155  | B2 |
| C106 | C1 | D002  | A1 | R156  | B3 |
| C107 | C1 | D003  | A2 | R157  | B3 |
| C108 | D1 | D004  | A2 | R158  | B3 |
| C109 | D1 | EF001 | B1 | R159  | B3 |
| C110 | D1 | IC101 | D2 | R160  | B3 |
| C111 | D1 | IC151 | A4 | R161  | C3 |
| C112 | C3 | IC152 | B3 | R162  | C3 |
| C113 | C3 | JK001 | A1 | R163  | C3 |
| C114 | D3 | L102  | B1 | R165  | C3 |
| C115 | D2 | L103  | C1 | R167  | B4 |
| C116 | D3 | L104  | C3 | R168  | C4 |
| C117 | D3 | L151  | A3 | RB101 | B4 |
| C118 | D3 | L152  | A4 | T101  | D1 |
| C119 | C3 | L153  | B3 | T102  | C3 |
| C120 | C4 | L154  | B4 | T103  | D1 |
| C122 | D4 | Q101  | B1 | T104  | D1 |
| C123 | D3 | Q102  | B1 | T105  | D3 |
| C124 | D3 | Q103  | B2 | TC001 | A2 |
| C125 | D1 | Q104  | C2 | TC002 | C1 |
| C126 | D1 | Q105  | D4 | T001  | A1 |
| C127 | D3 | Q001  | A2 | T002  | A2 |
| C129 | D1 | R001  | A1 | T003  | C1 |
| C130 | D1 | R002  | A1 | VD002 | A5 |
| C131 | D1 | R003  | A2 | VR102 | D3 |
| C132 | D1 | R004  | B2 | XL151 | A3 |
| C133 | D1 | R005  | B2 | XL152 | B3 |
| C134 | D1 | R006  | B2 |       |    |
| C135 | D2 | R007  | C1 |       |    |
| C136 | D2 | R008  | B1 |       |    |
| C137 | D2 | R101  | B1 |       |    |
| C138 | D2 | R102  | B1 |       |    |
| C139 | D3 | R103  | B1 |       |    |
| C140 | D3 | R104  | B1 |       |    |
| C141 | D4 | R105  | B1 |       |    |
| C142 | D4 | R107  | B1 |       |    |
| C143 | C3 | R106  | B1 |       |    |
| C144 | C3 | R108  | C2 |       |    |
| C145 | C4 | R109  | C2 |       |    |
| C151 | A3 | R110  | C2 |       |    |
| C152 | A4 | R113  | C1 |       |    |
| C153 | A4 | R114  | C1 |       |    |
| C154 | A3 | R115  | C1 |       |    |
| C155 | A3 | R116  | D2 |       |    |
| C156 | A3 | R117  | C3 |       |    |
| C157 | A3 | R118  | D3 |       |    |
|      |    | R119  | D3 |       |    |

# RGB SCHEMATIC DIAGRAM

|         |         |          |          |          |          |          |
|---------|---------|----------|----------|----------|----------|----------|
| C187 A3 | C183 B3 | FB181 A2 | JK182 B4 | RB181 A1 | ZD183 A4 | ZD186 B2 |
| C181 B3 | C185 A3 | FB182 B2 | JK183 B4 | ZD181 A3 | ZD184 B2 |          |
| C182 B3 | C186 A3 | FB183 B2 | JK184 A4 | ZD182 A4 | ZD185 B3 |          |

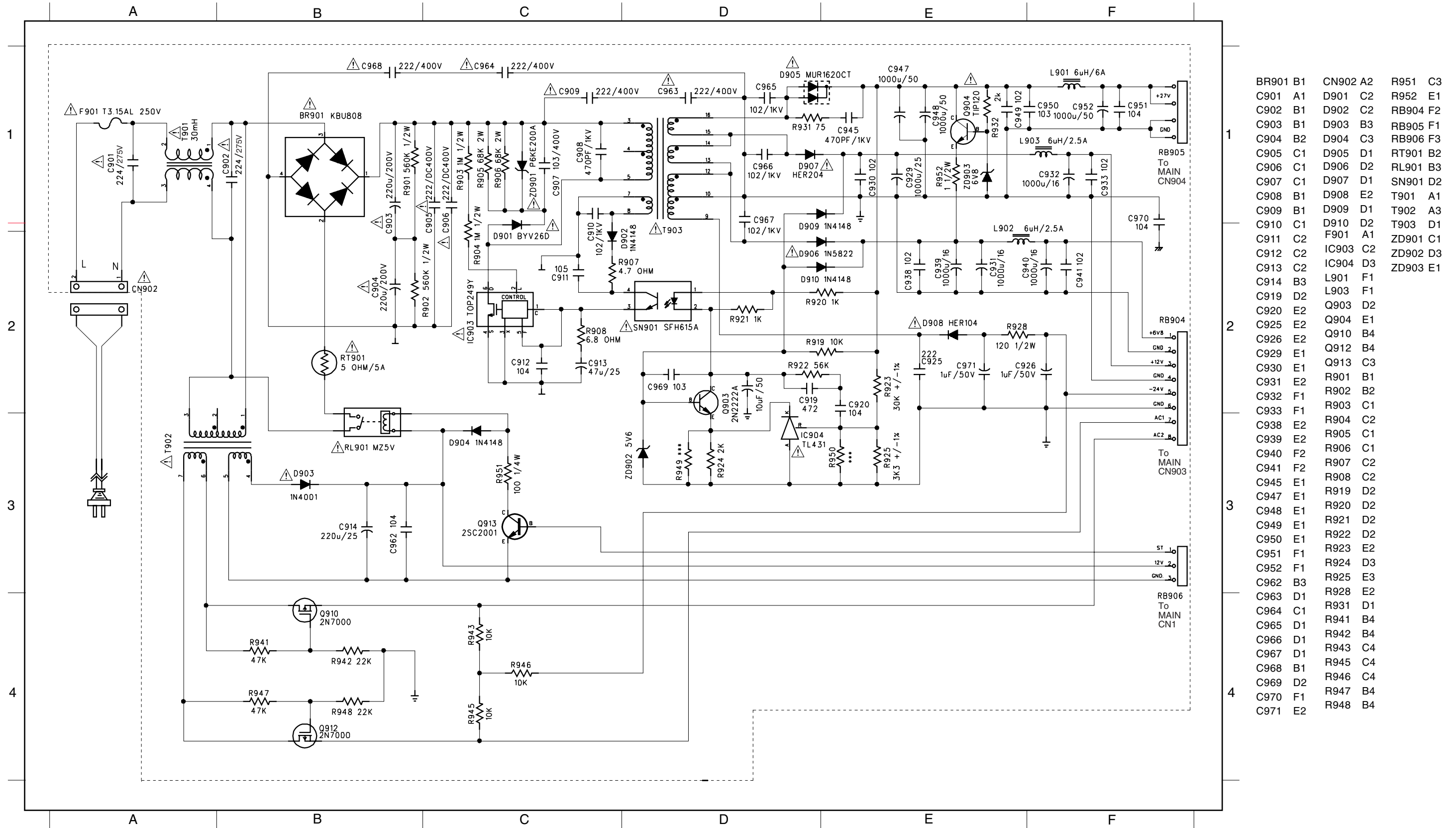


# KEY PANEL, PHONE JACK & POWER SW SCHEMATIC DIAGRAMS



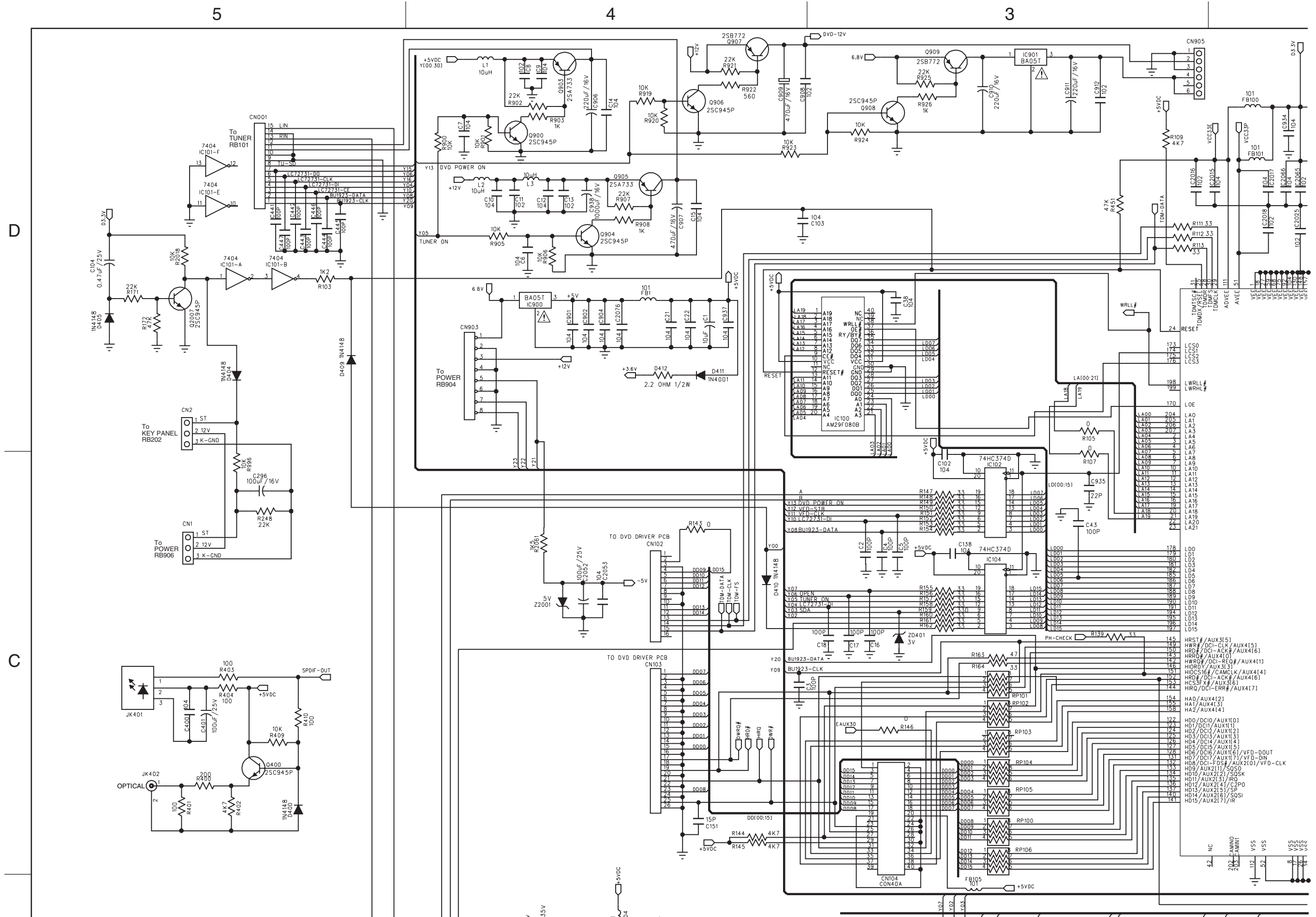
|      |    |        |    |
|------|----|--------|----|
| C251 | D3 | R286   | D3 |
| C252 | D3 | R288   | E4 |
| C253 | A2 | R289   | D4 |
| C254 | B2 | R290   | D4 |
| C255 | B2 | R291   | F4 |
| C256 | A4 | R292   | D3 |
| C257 | B4 | R293   | B4 |
| C258 | B4 | RB105A | E2 |
| C259 | C4 | RB105B | E3 |
| C260 | D4 | RB201  | E4 |
| C261 | D4 | RB202  | E3 |
| C262 | D3 | RB401  | E1 |
| C263 | D3 | D251   | C2 |
| C264 | C2 | D252   | C2 |
| C265 | A1 | D253   | D2 |
| C266 | B1 | CN201  | E4 |
| R213 | A4 | DP251  | C1 |
| R251 | A1 | IC251  | B1 |
| R252 | A1 | IC252  | C4 |
| R253 | A1 | JK302  | F1 |
| R254 | A1 | LD251  | E4 |
| R255 | A2 | Q251   | B3 |
| R256 | A2 | Q252   | B3 |
| R257 | A2 | Q253   | C3 |
| R259 | B2 | Q254   | E4 |
| R260 | B2 | Q255   | D2 |
| R261 | B2 | TA201  | C2 |
| R262 | B2 | TA202  | B3 |
| R263 | A4 | TA203  | C2 |
| R264 | A4 | TA204  | C3 |
| R265 | A4 | TA205  | B2 |
| R266 | B3 | TA206  | B2 |
| R267 | B3 | TA207  | C2 |
| R268 | B3 | TA208  | C3 |
| R269 | B3 | TA209  | B3 |
| R270 | C3 | TA210  | E3 |
| R271 | C3 | SN251  | D3 |
| R272 | C3 | XL251  | B4 |
| R273 | D2 | ZD251  | D4 |
| R274 | D3 | ZD252  | D3 |
| R275 | D3 | ZD253  | D3 |
| R276 | E3 |        |    |
| R277 | B1 |        |    |
| R278 | C4 |        |    |
| R279 | C4 |        |    |
| R281 | C4 |        |    |
| R282 | C4 |        |    |
| R283 | C4 |        |    |
| R284 | D4 |        |    |
| R285 | D4 |        |    |

POWER SCHEMATIC DIAGRAM



|       |    |       |    |       |    |
|-------|----|-------|----|-------|----|
| BR901 | B1 | CN902 | A2 | R951  | C3 |
| C901  | A1 | D901  | C2 | R952  | E1 |
| C902  | B1 | D902  | C2 | RB904 | F2 |
| C903  | B1 | D903  | B3 | RB905 | F1 |
| C904  | B2 | D904  | C3 | RB906 | F3 |
| C905  | C1 | D905  | D1 | RT901 | B2 |
| C906  | C1 | D906  | D2 | RL901 | B3 |
| C907  | C1 | D907  | D1 | SN901 | D2 |
| C908  | B1 | D908  | E2 | T901  | A1 |
| C909  | B1 | D909  | D1 | T902  | A3 |
| C910  | C1 | D910  | D2 | T903  | D1 |
| C911  | C2 | F901  | A1 | ZD901 | C1 |
| C912  | C2 | IC903 | C2 | ZD902 | D3 |
| C913  | C2 | IC904 | D3 | ZD903 | E1 |
| C914  | B3 | L901  | F1 |       |    |
| C919  | D2 | L903  | F1 |       |    |
| C920  | E2 | Q903  | D2 |       |    |
| C925  | E2 | Q904  | E1 |       |    |
| C926  | E2 | Q910  | B4 |       |    |
| C929  | E1 | Q912  | B4 |       |    |
| C930  | E1 | Q913  | C3 |       |    |
| C931  | E2 | R901  | B1 |       |    |
| C932  | F1 | R902  | B2 |       |    |
| C933  | F1 | R903  | C1 |       |    |
| C938  | E2 | R904  | C2 |       |    |
| C939  | E2 | R905  | C1 |       |    |
| C940  | F2 | R906  | C1 |       |    |
| C941  | F2 | R907  | C2 |       |    |
| C945  | E1 | R908  | C2 |       |    |
| C947  | E1 | R919  | D2 |       |    |
| C948  | E1 | R920  | D2 |       |    |
| C949  | E1 | R921  | D2 |       |    |
| C950  | E1 | R922  | D2 |       |    |
| C951  | F1 | R923  | E2 |       |    |
| C952  | F1 | R924  | D3 |       |    |
| C962  | B3 | R925  | E3 |       |    |
| C963  | D1 | R928  | E2 |       |    |
| C964  | C1 | R931  | D1 |       |    |
| C965  | D1 | R941  | B4 |       |    |
| C966  | D1 | R942  | B4 |       |    |
| C967  | D1 | R943  | C4 |       |    |
| C968  | B1 | R945  | C4 |       |    |
| C969  | D2 | R946  | C4 |       |    |
| C970  | F1 | R947  | B4 |       |    |
| C971  | E2 | R948  | B4 |       |    |

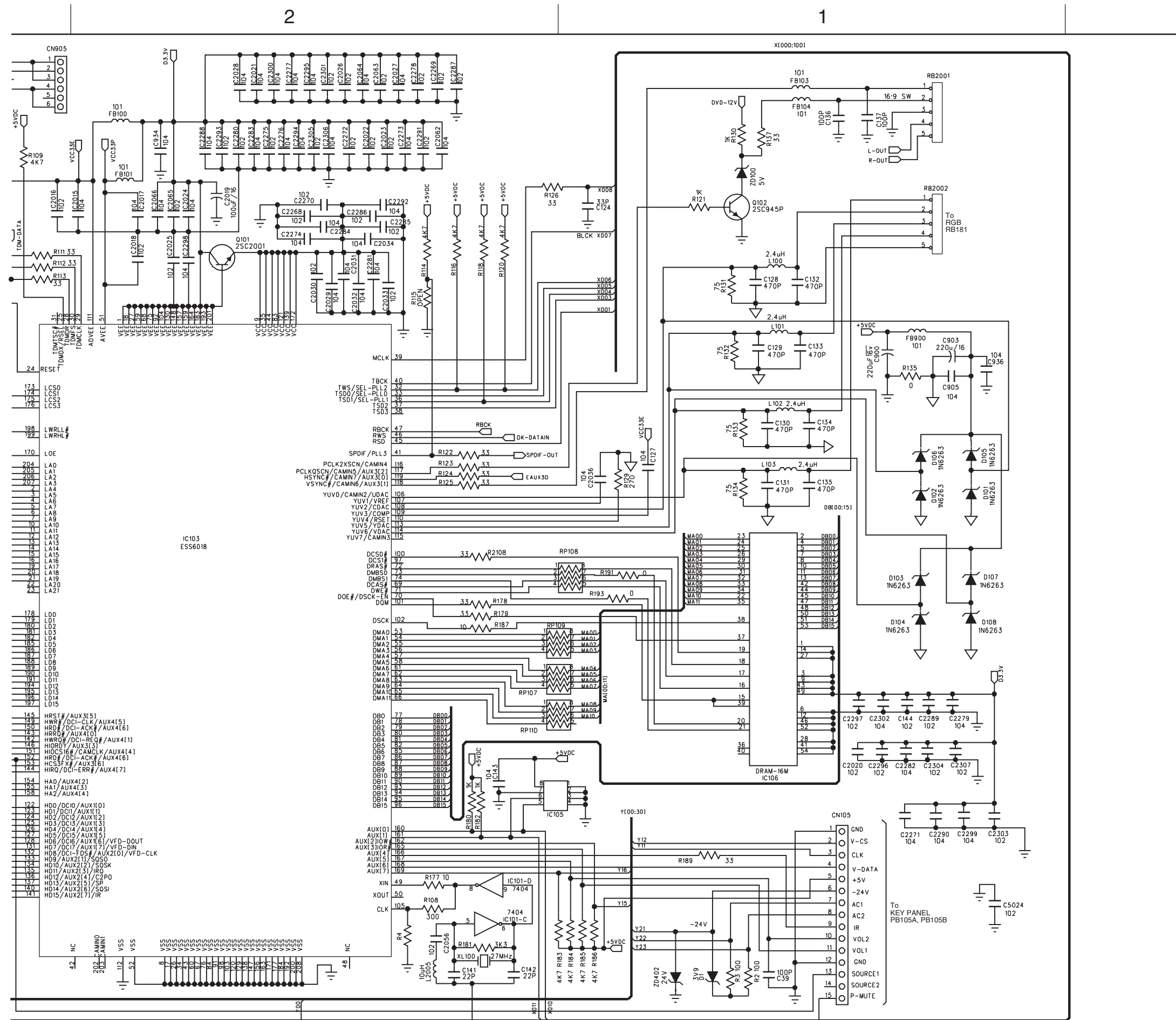
MAIN SCHEMATIC DIAGRAM (TOP LEFT VIEW)



MAIN SCHEMATIC DIAGRAM (TOP RIGHT VIEW)

2

1



D

C

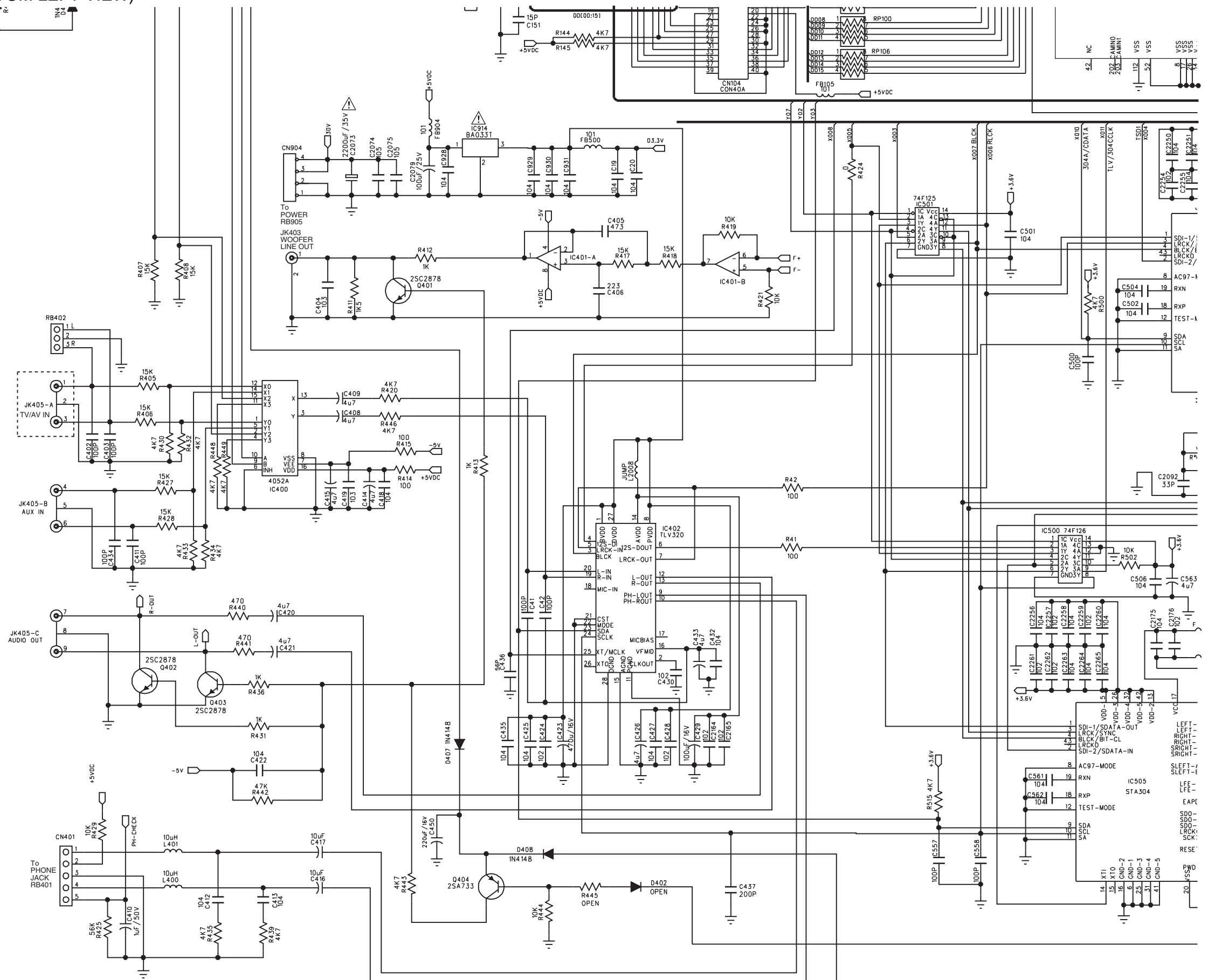
|         |    |       |    |      |    |        |    |
|---------|----|-------|----|------|----|--------|----|
| CN1     | C5 | L507  | A1 | R160 | C3 | R518   | A2 |
| CN2     | D5 | L508  | B1 | R161 | C3 | R519   | A1 |
| CN102   | C4 | L509  | B1 | R162 | C3 | R520   | B1 |
| CN103   | C4 | L513  | A1 | R163 | C3 | R521   | A1 |
| CN105   | C1 | L514  | A1 | R164 | C3 | R522   | A1 |
| CN401   | A5 | L515  | B1 | R171 | D5 | R523   | A1 |
| CN903   | D4 | L2005 | C2 | R172 | D5 | R524   | A1 |
| CN904   | B4 | L2008 | B4 | R177 | C2 | R525   | A1 |
| CN905   | D3 | L2009 | B2 | R178 | C2 | R526   | A1 |
| D1      | C1 | L2010 | B2 | R179 | C2 | R527   | A1 |
| D101    | D1 | L2032 | B1 | R180 | C2 | R528   | A1 |
| D102    | D1 | L2034 | A1 | R181 | C2 | R529   | A1 |
| D103    | C1 | L2036 | B1 | R182 | C2 | R530   | A1 |
| D104    | C1 | L2037 | B1 | R183 | C1 | R531   | A1 |
| D105    | D1 | L2038 | A1 | R184 | C1 | R532   | A1 |
| D106    | D1 | L2045 | A1 | R185 | C1 | R533   | B2 |
| D107    | C1 | Q101  | D2 | R186 | C1 | R534   | B2 |
| D108    | C1 | Q102  | D1 | R187 | C2 | R900   | D4 |
| D400    | C5 | Q400  | C5 | R189 | C1 | R901   | D4 |
| D402    | A3 | Q401  | B4 | R191 | C1 | R902   | D4 |
| D404    | D5 | Q402  | A5 | R193 | C1 | R903   | D4 |
| D405    | D5 | Q403  | A4 | R248 | C5 | R906   | D4 |
| D407    | A4 | Q404  | A4 | R400 | C5 | R907   | D4 |
| D408    | A4 | Q900  | D4 | R401 | C5 | R908   | D4 |
| D409    | D5 | Q903  | D4 | R402 | C5 | R919   | D4 |
| D410    | C4 | Q904  | D4 | R403 | C5 | R920   | D4 |
| D411    | D4 | Q905  | D4 | R404 | C5 | R921   | D4 |
| D412    | D4 | Q906  | D4 | R405 | B5 | R922   | D4 |
| FB1     | D4 | Q907  | D4 | R406 | B5 | R924   | D3 |
| FB100   | D2 | Q908  | D3 | R407 | B5 | R925   | D3 |
| FB101   | D2 | Q909  | D3 | R408 | B3 | R926   | D3 |
| FB103   | D1 | Q2007 | D5 | R409 | C5 | R996   | C5 |
| FB104   | D1 | R1    | B2 | R410 | C5 | R2018  | D5 |
| FB500   | B4 | R2    | C1 | R411 | B4 | R2061  | C4 |
| FB502   | A2 | R3    | C1 | R412 | B4 | R2108  | C2 |
| FB503   | A2 | R4    | C2 | R413 | B4 | RB2001 | D1 |
| FB900   | D1 | R41   | B3 | R414 | B4 | RB2002 | B5 |
| IC100   | D3 | R42   | B3 | R415 | B4 | RB2002 | D1 |
| IC101-A | D5 | R103  | D5 | R417 | B4 | RP100  | C3 |
| IC101-B | D5 | R105  | D3 | R418 | B3 | RP101  | C3 |
| IC101-C | C2 | R107  | D3 | R419 | B3 | RP102  | C3 |
| IC101-D | C2 | R108  | C2 | R420 | B4 | RP103  | C3 |
| IC101-E | D5 | R109  | D3 | R421 | B3 | RP104  | C3 |
| IC101-F | D5 | R111  | D3 | R424 | B3 | RP105  | C3 |
| IC102   | C3 | R112  | D3 | R425 | A5 | RP106  | C3 |
| IC103   | C2 | R113  | D3 | R427 | B5 | RP107  | C2 |
| IC104   | C3 | R114  | D2 | R428 | B5 | RP108  | C1 |
| IC105   | C1 | R115  | D2 | R429 | A5 | RP109  | C1 |
| IC106   | C1 | R116  | D2 | R430 | B5 | RP110  | C2 |
| IC400   | B4 | R118  | D2 | R431 | A4 | XL100  | C2 |
| IC401-A | B4 | R120  | D2 | R432 | B5 | XL500  | B2 |
| IC401-B | B3 | R121  | D1 | R434 | A5 | Z2001  | C4 |
| IC402   | B3 | R122  | D2 | R434 | A4 | ZD100  | D1 |
| IC500   | B3 | R123  | D2 | R435 | A4 | ZD401  | C3 |
| IC501   | B3 | R124  | D2 | R436 | A4 | ZD402  | C1 |
| IC502   | B2 | R125  | D2 | R439 | A4 |        |    |
| IC503   | A1 | R126  | D2 | R440 | A4 |        |    |
| IC504   | A1 | R129  | D1 | R441 | A4 |        |    |
| IC505   | A2 | R130  | D1 | R442 | A4 |        |    |
| IC506   | B1 | R131  | D1 | R443 | A4 |        |    |
| IC900   | D4 | R132  | D1 | R444 | A4 |        |    |
| IC901   | D3 | R133  | D1 | R446 | B4 |        |    |
| IC914   | B4 | R134  | D1 | R448 | B4 |        |    |
| JK401   | C5 | R135  | D1 | R449 | B4 |        |    |
| JK402   | C5 | R137  | D1 | R451 | D3 |        |    |
| JK403   | B4 | R139  | C3 | R500 | B2 |        |    |
| JK405-A | B5 | R143  | C4 | R501 | B2 |        |    |
| JK405-B | B5 | R144  | C4 | R502 | A2 |        |    |
| JK500   | B1 | R145  | C4 | R503 | B2 |        |    |
| L1      | D4 | R146  | C3 | R504 | A2 |        |    |
| L2      | D4 | R147  | C3 | R505 | B1 |        |    |
| L3      | D4 | R148  | C3 | R506 | B1 |        |    |
| L100    | D1 | R149  | C3 | R507 | A1 |        |    |
| L101    | D1 | R150  | C3 | R508 | B1 |        |    |
| L102    | D1 | R151  | C3 | R509 | A1 |        |    |
| L103    | D1 | R152  | C3 | R510 | B1 |        |    |
| L400    | A5 | R153  | C3 | R511 | B1 |        |    |
| L401    | A5 | R154  | C3 | R512 | B1 |        |    |
| L500    | B1 | R155  | C3 | R513 | B1 |        |    |
| L501    | B1 | R156  | C3 | R514 | B1 |        |    |
| L502    | B1 | R157  | C3 | R515 | A3 |        |    |
| L503    | B1 | R158  | C3 | R516 | A2 |        |    |
| L504    | A1 | R159  | C3 | R517 | A2 |        |    |



MAIN SCHEMATIC DIAGRAM (BOTTOM LEFT VIEW)

B

A



5

4

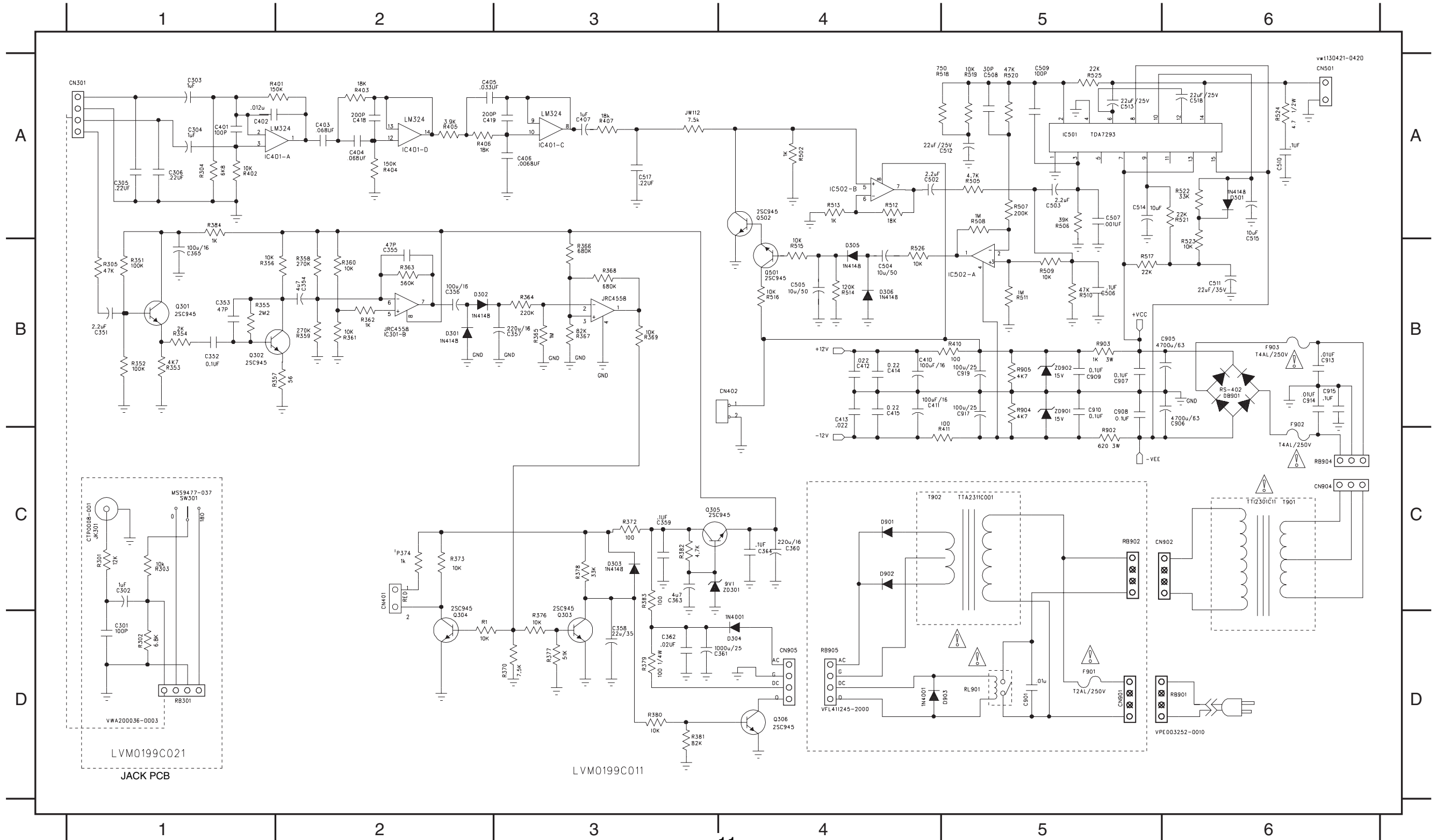
9

3

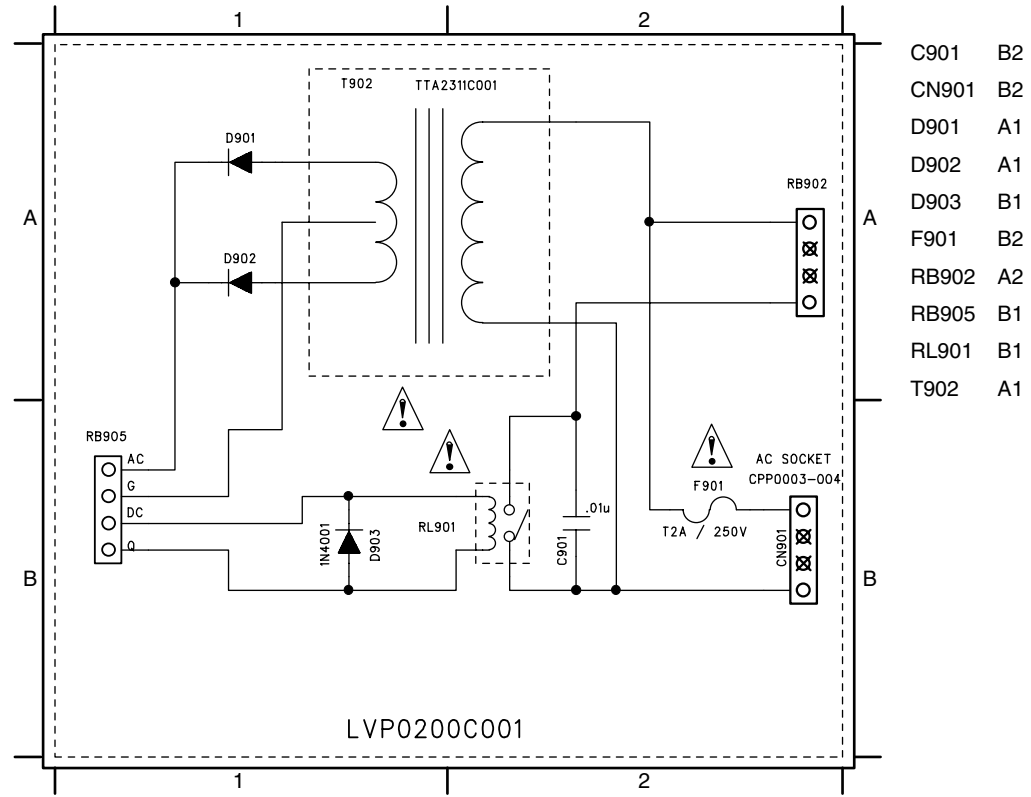


# 2-2 SUBWOOFER SECTION AMP & JACK SCHEMATIC DIAGRAMS

|         |         |         |         |          |         |          |            |            |         |         |         |         |         |         |         |          |          |
|---------|---------|---------|---------|----------|---------|----------|------------|------------|---------|---------|---------|---------|---------|---------|---------|----------|----------|
| C301 D1 | C358 D3 | C402 A1 | C414 B4 | C508 A5  | C518 A6 | C917 B5  | D303 C3    | IC401-C A3 | Q304 D2 | R351 B1 | R362 B2 | R372 C3 | R383 C3 | R407 A3 | R513 A4 | R523 A6  | RB904 C6 |
| C302 C1 | C357 B3 | C403 A2 | C415 B4 | C509 A5  | C905 B6 | C919 B5  | D305 B4    | IC401-DA2  | Q305 C3 | R352 B1 | R363 B2 | R373 C2 | R384 A1 | R502 A4 | R514 B4 | R524 A6  | SW301C1  |
| C303 A1 | C359 C3 | C404 A2 | C418 A2 | C510 A6  | C906 B6 | CN301 A1 | D306 B4    | IC501 A5   | Q306 D4 | R353 B1 | R364 B3 | R374 C2 | R401 A1 | R505 A5 | R515 B4 | R525 A5  | ZD301 C3 |
| C304 A1 | C360 C4 | C405 A2 | C419 A2 | C510A A6 | C907 B5 | CN302 B3 | D501 A6    | IC502-A B5 | Q501 B4 | R354 B1 | R365 B3 | R376 D3 | R402 A1 | R506 A5 | R516 B4 | R526 B4  | ZD901 B5 |
| C352 B1 | C361 D3 | C406 A3 | C502 A4 | C511 B6  | C908 B5 | CN401 C2 | DB901 B6   | IC502-B A4 | Q502 A4 | R355 B1 | R366 B3 | R377 D3 | R403 A2 | R507 A5 | R517 B5 | R902 C5  | ZD902 B5 |
| C354 B2 | C362 D3 | C407 A3 | C503 A5 | C512 A5  | C909 B5 | CN402 B4 | F902 C6    | JK301 C1   | R301 C1 | R356 B1 | R367 B3 | R378 C3 | R404 A2 | R508 A5 | R518 A5 | R903 B5  |          |
| C351 B1 | C363 C3 | C410 B4 | C504 B4 | C513 A5  | C910 B5 | CN501 A6 | F903 B6    | JW112 A3   | R302 D1 | R358 B2 | R368 B3 | R379 D3 | R405 A2 | R509 B5 | R519 A5 | R904 B5  |          |
| C353 B1 | C364 C4 | C411 B4 | C505 B4 | C514 A5  | C913 B6 | CN905 D4 | IC301-BB2  | Q301 B1    | R303 C1 | R359 B2 | R369 B3 | R380 D3 | R406 A2 | R510 B5 | R520 A5 | R905 B5  |          |
| C355 B2 | C365 B1 | C412 B4 | C506 B5 | C515 A6  | C914 B6 | D301 B2  | IC401-AA2  | Q302 B1    | R304 A1 | R360 B2 | R370 D3 | R381 D3 | R410 B5 | R511 B5 | R521 A6 | RB301 D1 |          |
| C356 B2 | C401 A1 | C413 B4 | C507 A5 | C517 A3  | C915 B6 | D302 B2  | IC401-B A1 | Q303 D3    | R305 B1 | R361 B2 | R371 D2 | R382 C3 | R411 C4 | R512 A4 | R522 A6 | RB401 C1 |          |

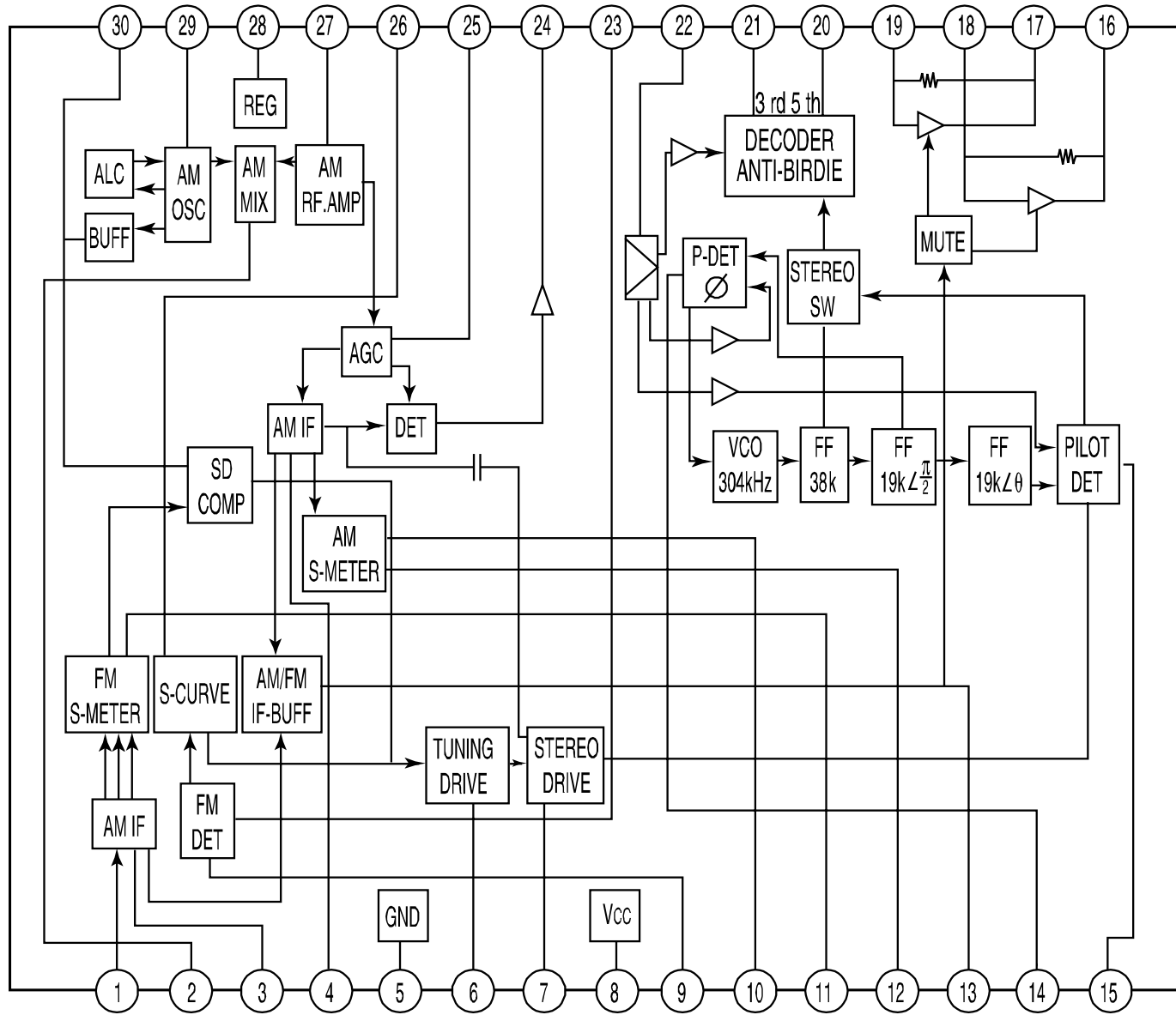


POWER SCHEMATIC DIAGRAM

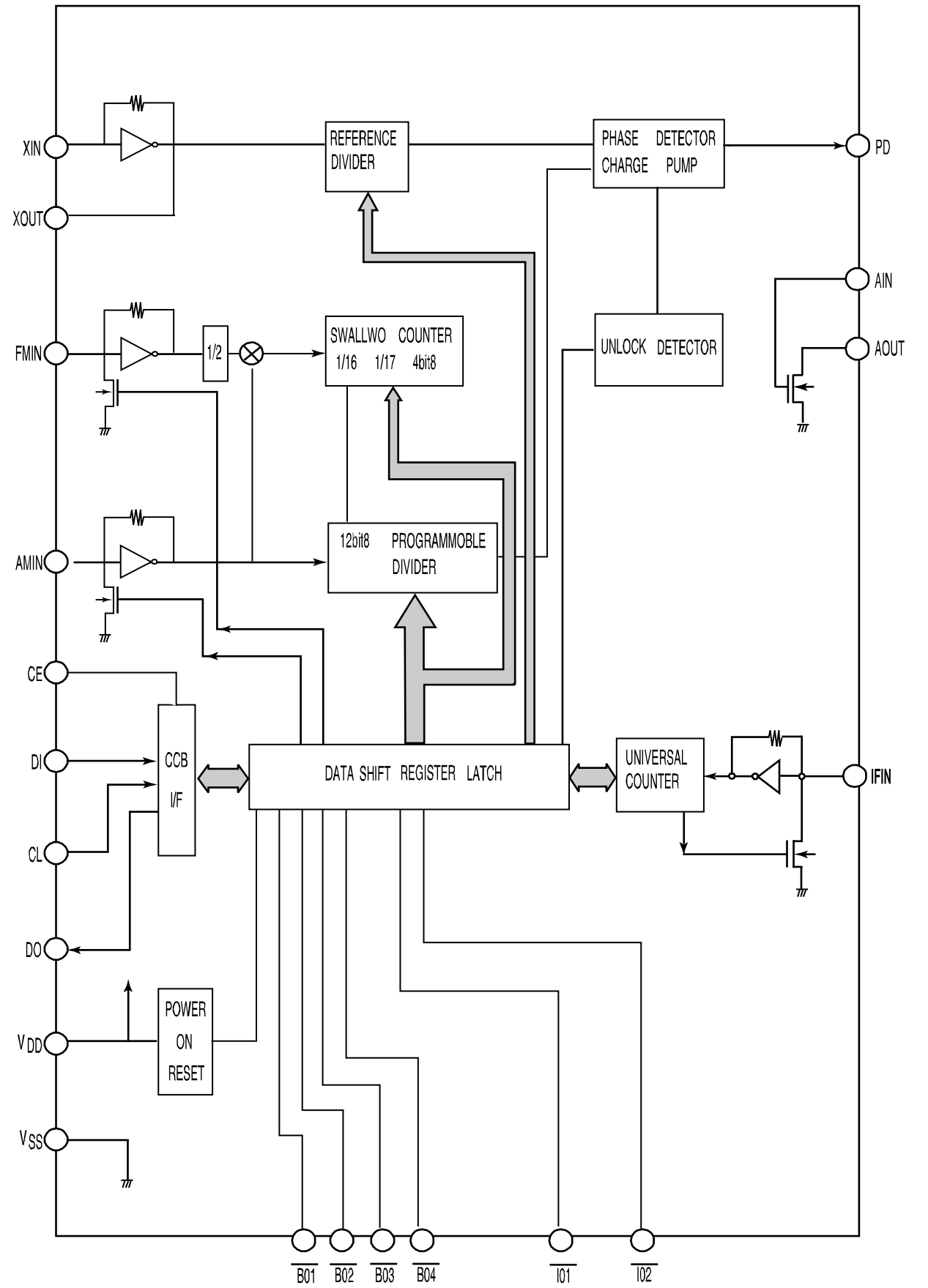


|       |    |
|-------|----|
| C901  | B2 |
| CN901 | B2 |
| D901  | A1 |
| D902  | A1 |
| D903  | B1 |
| F901  | B2 |
| RB902 | A2 |
| RB905 | B1 |
| RL901 | B1 |
| T902  | A1 |

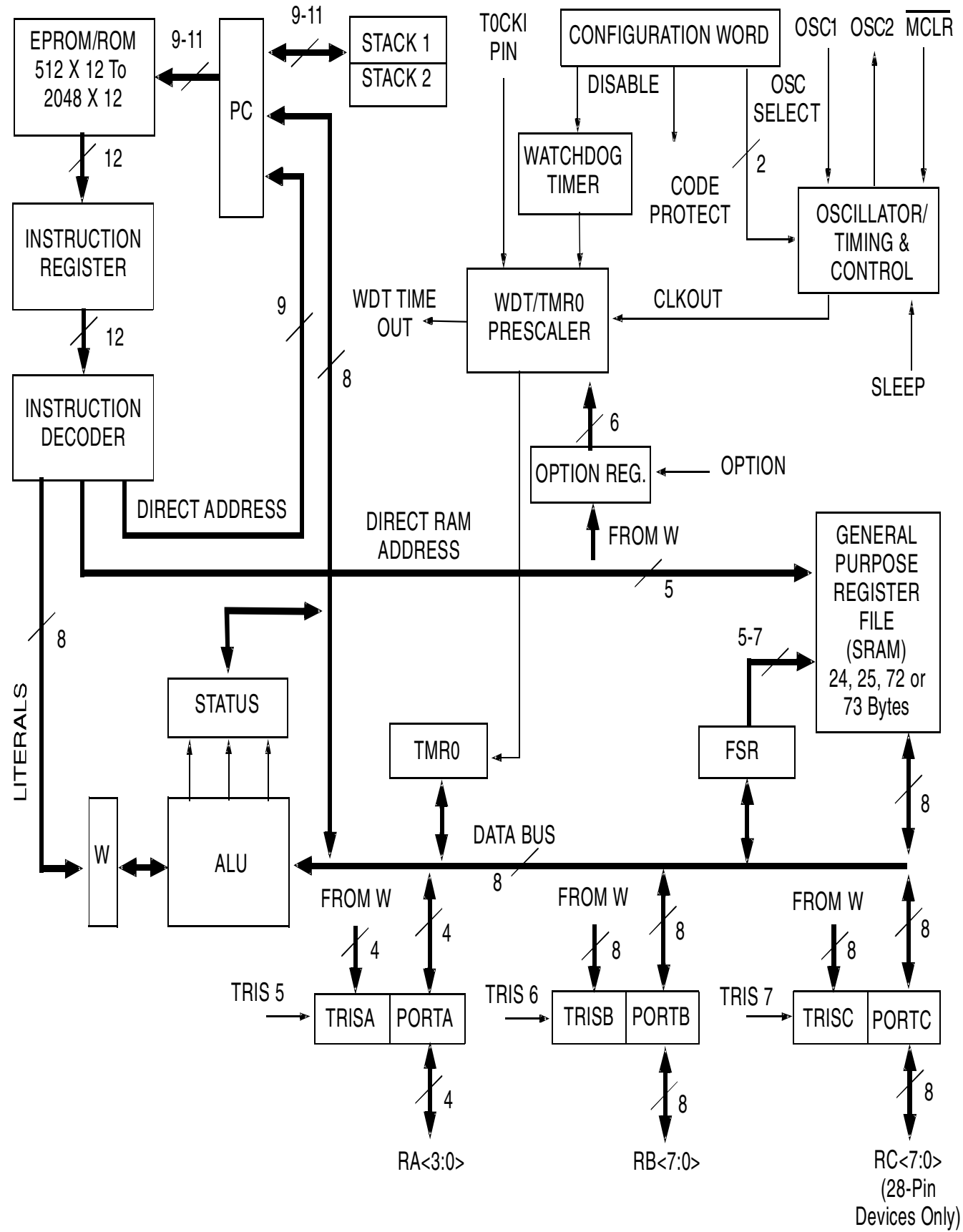
LA1837 (IC101)



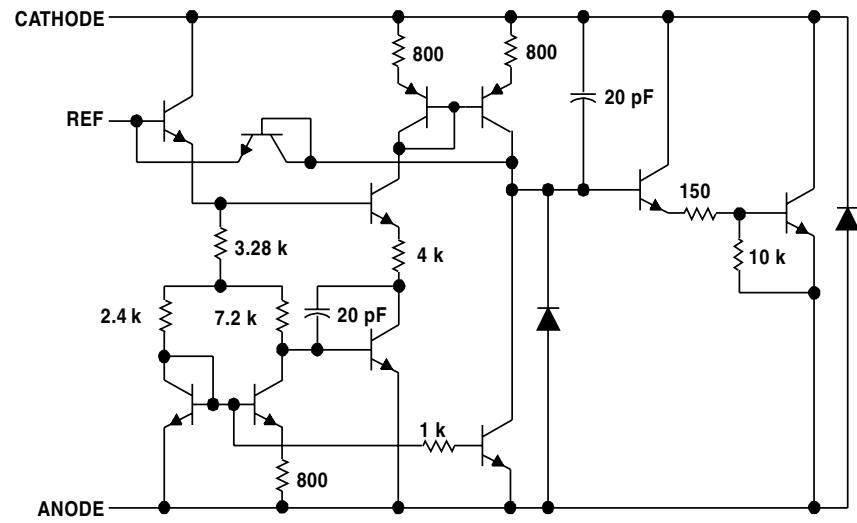
LC7213M (IC152)



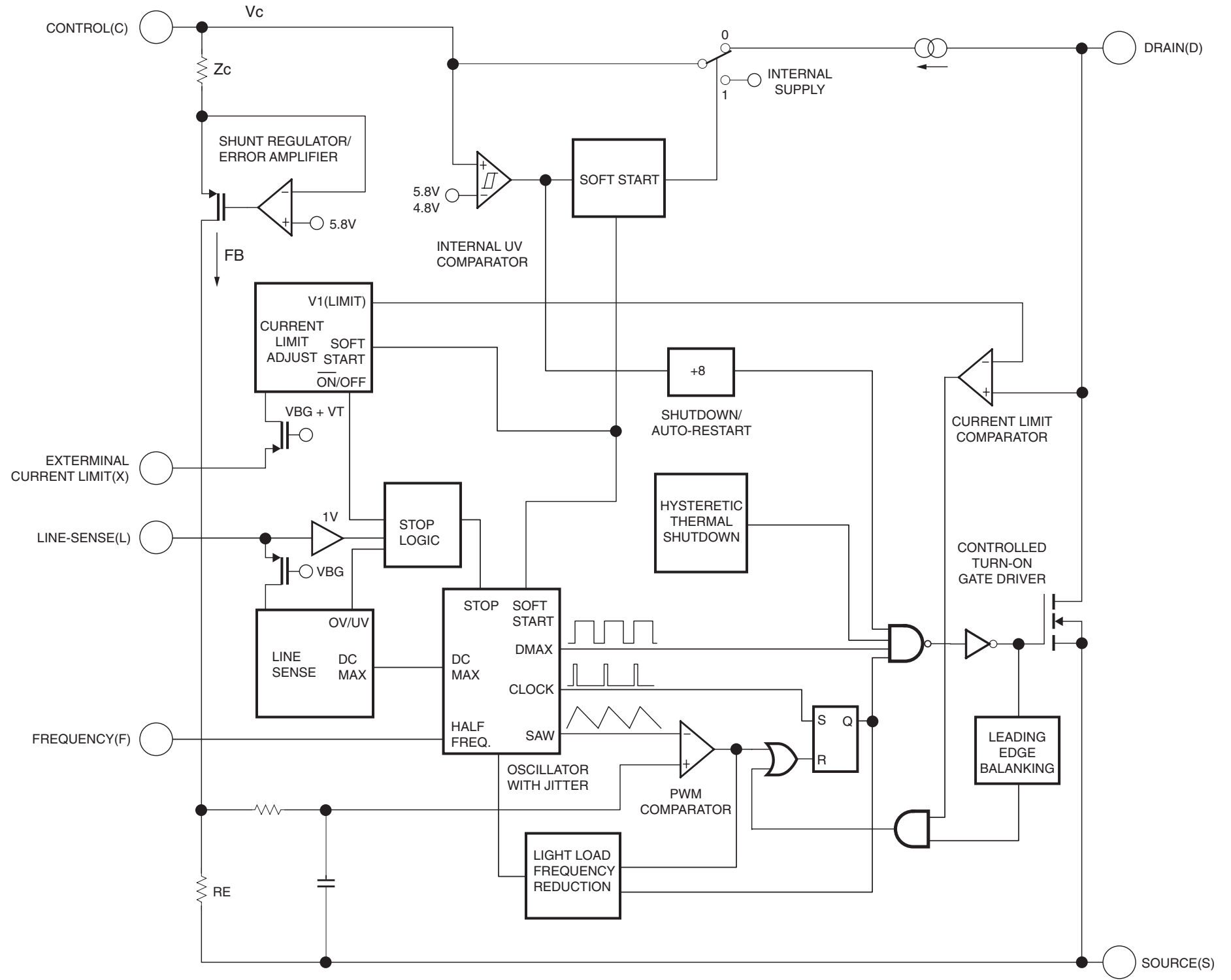
CF745 (IC252)



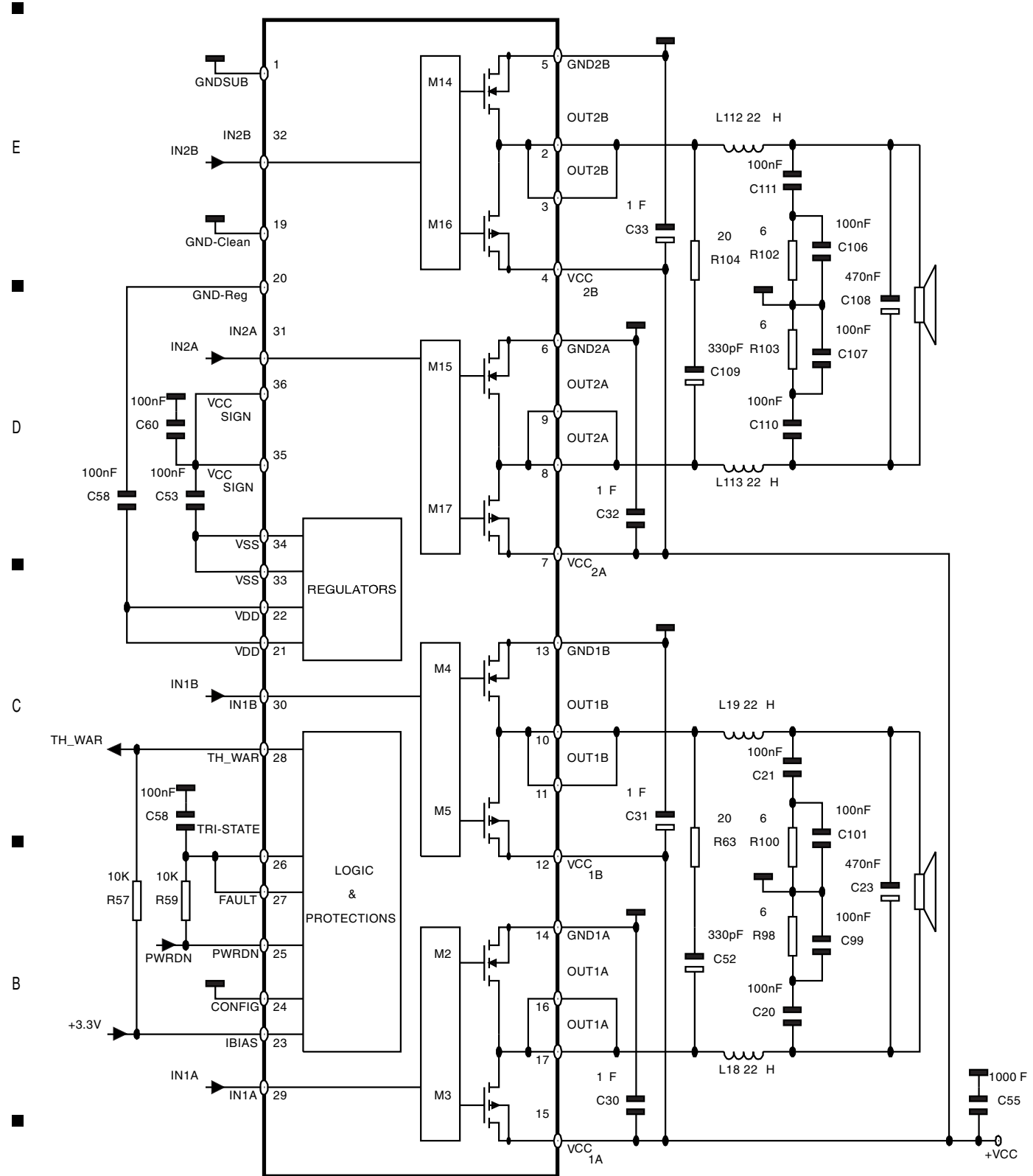
TL431 (IC904)



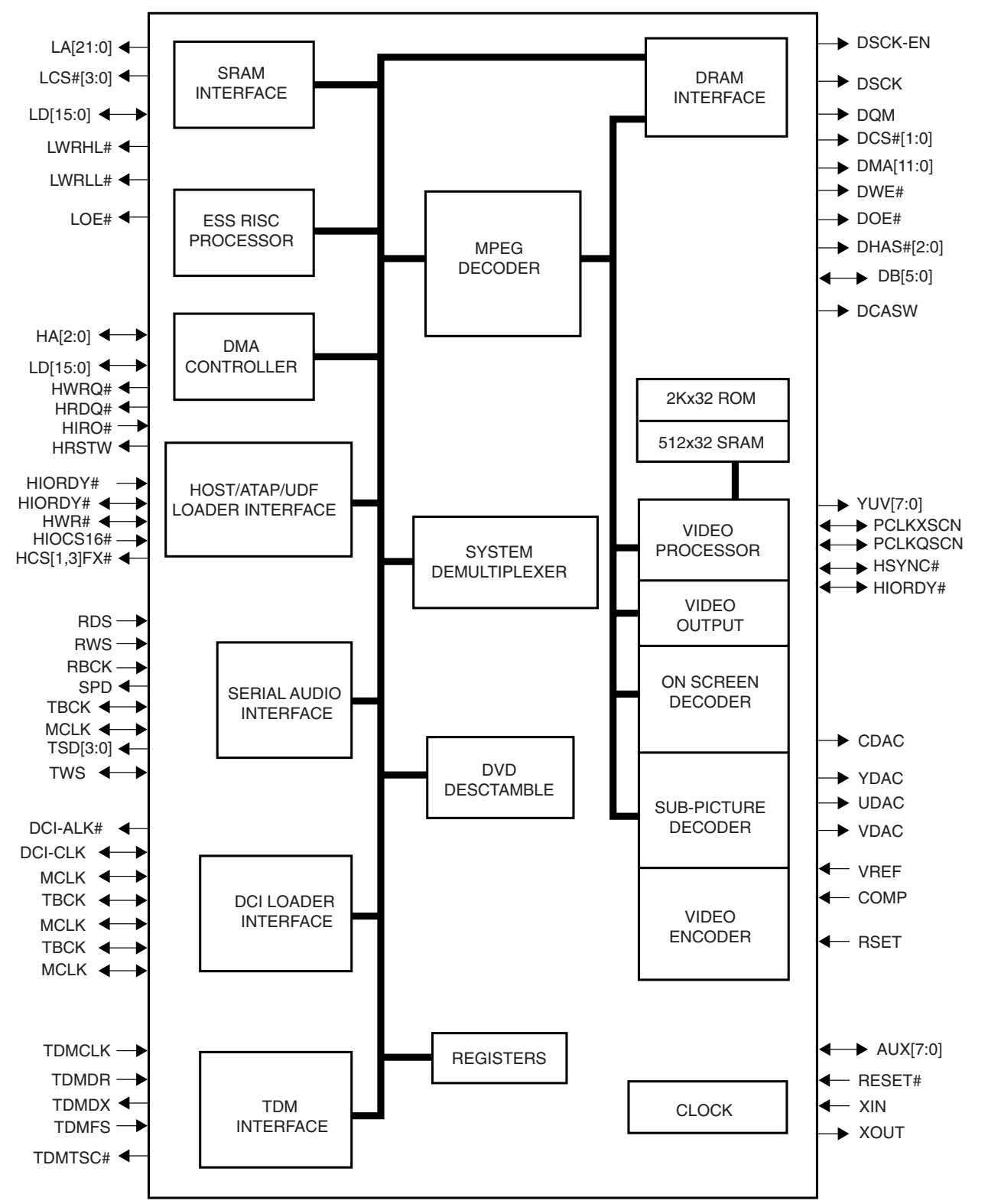
TOP249 (IC903)



**STA505 (IC503, IC504, IC506)**

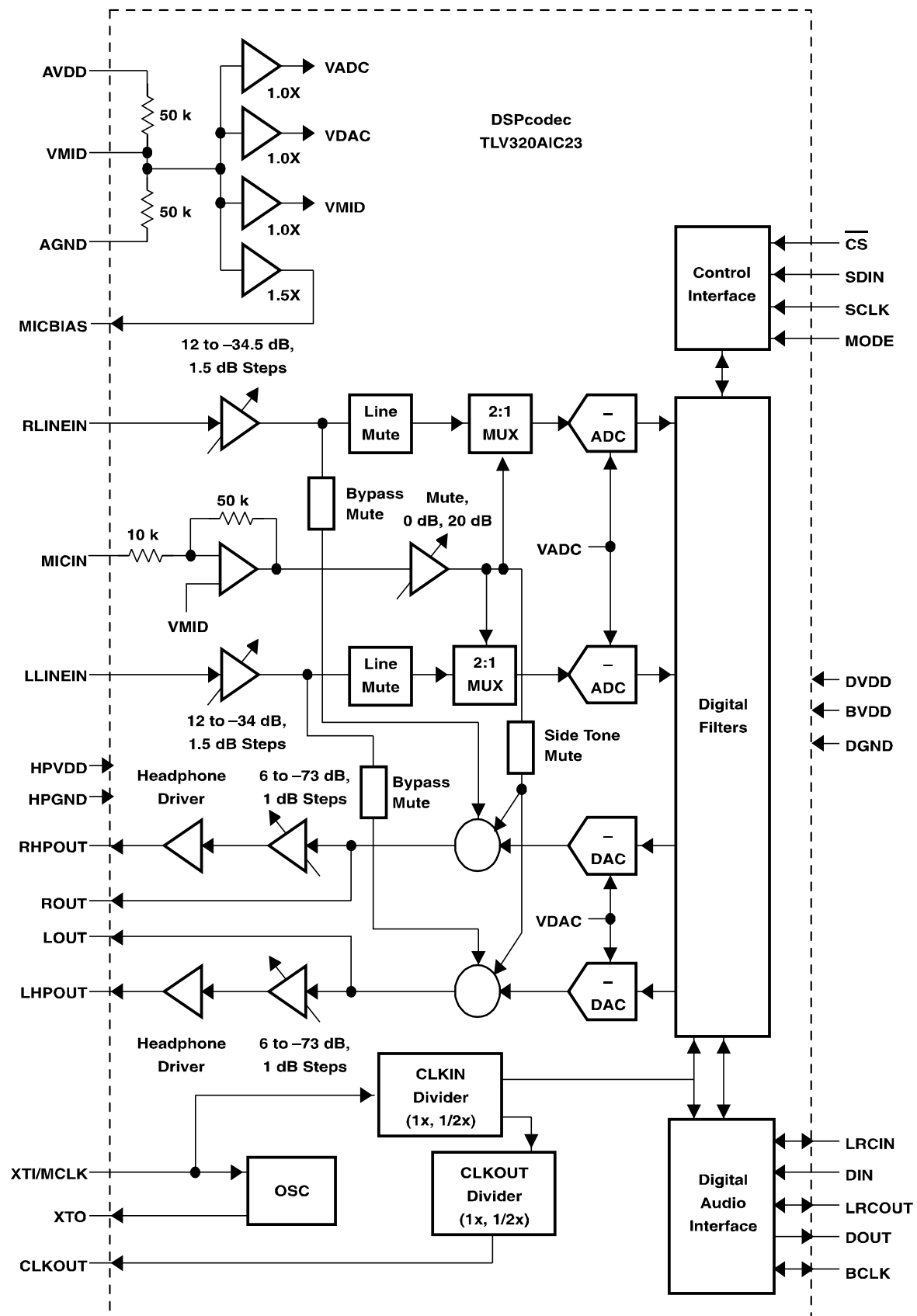


**ESS6018 (IC103)**





### TLV320A (IC402)



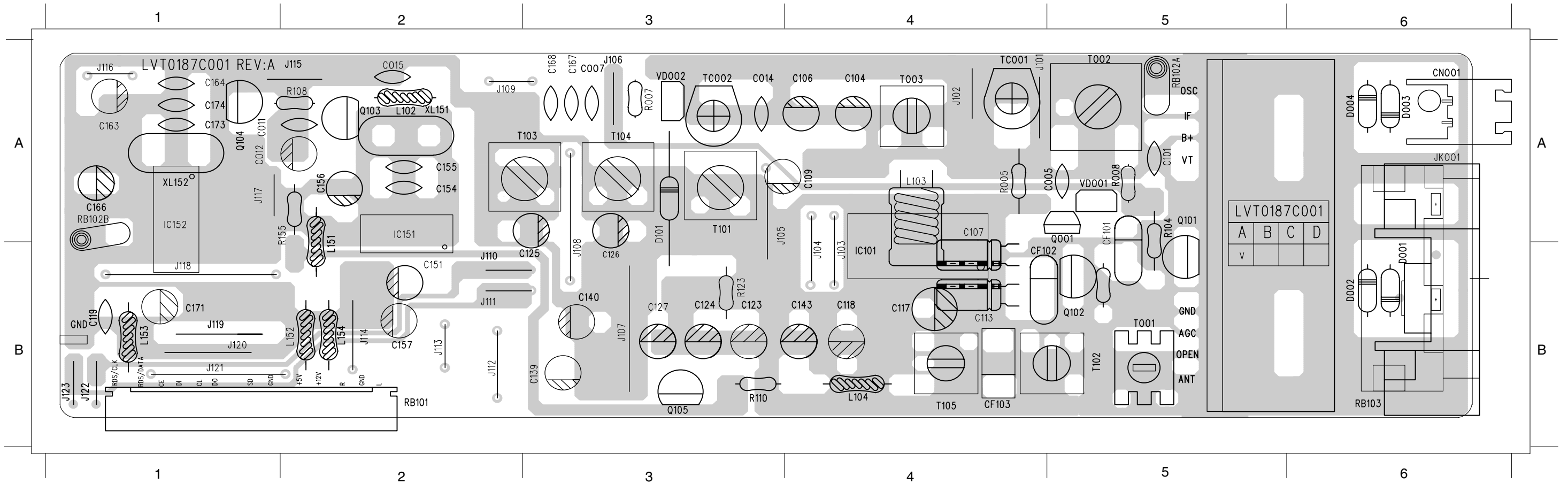
E  
D  
C  
B  
A

4 CIRCUIT BOARD DIAGRAMS

4-1 MAIN UNIT SECTION

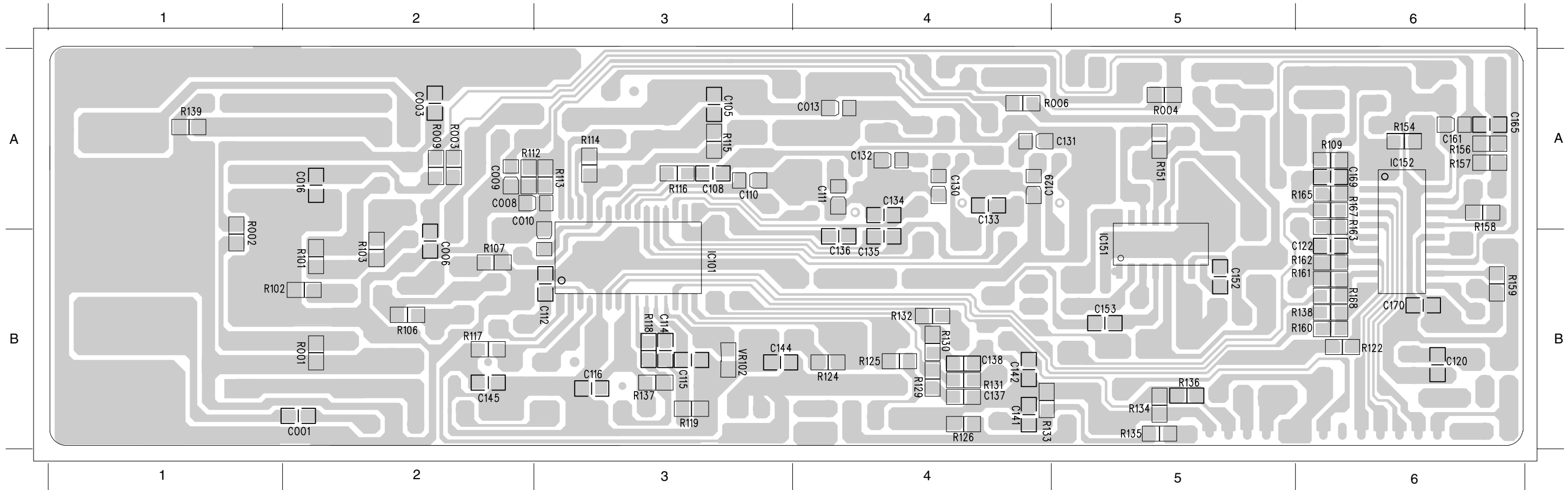
TUNER CIRCUIT BOARD DIAGRAM (TOP VIEW)

|      |    |      |    |      |    |       |    |      |    |      |    |       |    |       |    |       |    |       |    |        |    |       |    |
|------|----|------|----|------|----|-------|----|------|----|------|----|-------|----|-------|----|-------|----|-------|----|--------|----|-------|----|
| C005 | A5 | C109 | A4 | C139 | B3 | C166  | A1 | J102 | A4 | J111 | B2 | J121  | B1 | L153  | B1 | T104  | A3 | VD001 | A5 | R007   | A3 | RB103 | B6 |
| C007 | A3 | C113 | B4 | C140 | B3 | C167  | A3 | J103 | B4 | J112 | B2 | J122  | B1 | L154  | B2 | T105  | B4 | VD002 | A3 | R008   | A5 |       |    |
| C011 | A1 | C117 | B4 | C143 | B4 | C171  | B1 | J104 | B4 | J113 | B2 | J123  | B1 | IC151 | A2 | TC001 | A4 | XL151 | A2 | R104   | A5 |       |    |
| C012 | A1 | C118 | B4 | C151 | B2 | C173  | A1 | J116 | A1 | J114 | B2 | IC101 | B4 | IC152 | A1 | TC002 | A3 | XL152 | A1 | R108   | A2 |       |    |
| C014 | A3 | C119 | B1 | C154 | A2 | C174  | A1 | J105 | A3 | J115 | A2 | JK001 | A6 | T001  | A1 | Q001  | A5 | D001  | B6 | R110   | B3 |       |    |
| C015 | A2 | C123 | B3 | C155 | A2 | CF101 | A5 | J106 | A3 | J116 | B5 | L102  | A2 | T002  | A5 | Q101  | A5 | D002  | B6 | R123   | B3 |       |    |
| C101 | A5 | C124 | B3 | C156 | A2 | CF102 | B5 | J107 | B3 | J117 | A1 | L103  | A4 | T003  | B4 | Q102  | B5 | D003  | A6 | R155   | A2 |       |    |
| C104 | A4 | C125 | A3 | C157 | B2 | CF103 | B4 | J108 | A3 | J118 | B1 | L104  | B4 | T101  | A3 | Q103  | A2 | D004  | A6 | RB101  | B2 |       |    |
| C106 | A4 | C126 | B3 | C163 | A1 | CN001 | A6 | J109 | A2 | J119 | B1 | L151  | A2 | T102  | B5 | Q104  | A1 | D101  | A3 | RB102A | A5 |       |    |
| C107 | B4 | C127 | B3 | C164 | A1 | J101  | A4 | J110 | B2 | J120 | B1 | L152  | B2 | T103  | A3 | Q105  | B3 | R005  | A4 | RB102B | A1 |       |    |



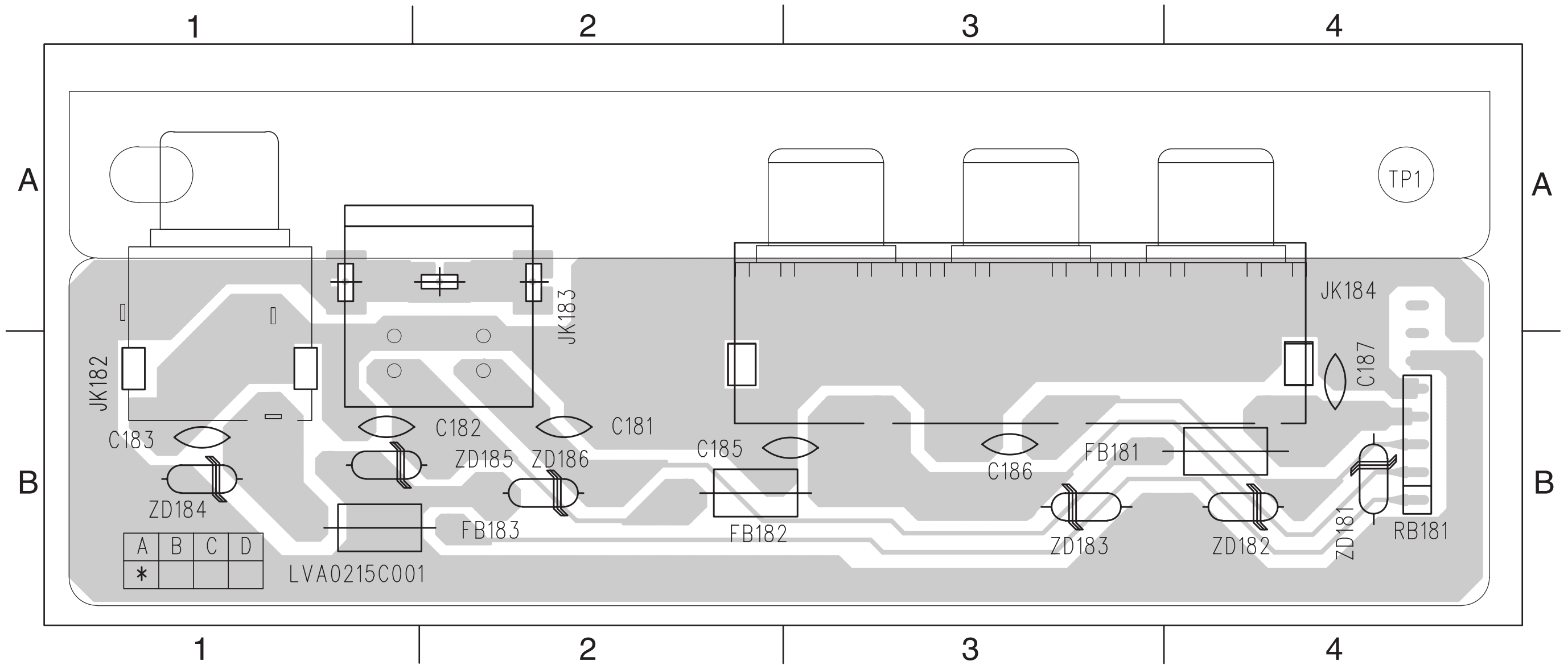
TUNER CIRCUIT BOARD DIAGRAM (BOTTOM VIEW)

|      |    |      |    |      |    |      |    |       |    |      |    |      |    |      |    |      |    |      |    |       |    |
|------|----|------|----|------|----|------|----|-------|----|------|----|------|----|------|----|------|----|------|----|-------|----|
| C001 | B2 | C108 | A3 | C129 | A4 | C138 | B4 | C169  | A6 | R006 | A4 | R113 | A3 | R125 | B4 | R136 | B5 | R158 | A6 | VR102 | B3 |
| C003 | A2 | C110 | A3 | C130 | A4 | C141 | B4 | C170  | B6 | R009 | A2 | R114 | A3 | R126 | B4 | R137 | B3 | R159 | B6 |       |    |
| C006 | B2 | C111 | A4 | C131 | A4 | C142 | B4 | IC101 | B3 | R101 | B2 | R115 | A3 | R129 | B4 | R138 | B6 | R160 | B6 |       |    |
| C008 | A2 | C112 | B3 | C132 | A4 | C144 | B3 | IC151 | B5 | R102 | B2 | R116 | A3 | R130 | B4 | R139 | A1 | R161 | B6 |       |    |
| C009 | A2 | C114 | B3 | C133 | A4 | C145 | B2 | IC152 | A6 | R103 | B2 | R117 | B2 | R131 | B4 | R145 | B2 | R162 | B6 |       |    |
| C010 | B3 | C115 | B3 | C134 | A4 | C152 | B5 | R001  | B2 | R106 | B2 | R118 | B3 | R132 | B4 | R151 | A5 | R163 | A6 |       |    |
| C013 | A4 | C116 | B3 | C135 | B4 | C153 | B5 | R002  | B1 | R107 | B2 | R119 | B3 | R133 | B4 | R154 | A6 | R165 | A6 |       |    |
| C016 | A2 | C120 | B6 | C136 | B4 | C161 | A6 | R003  | A2 | R109 | A6 | R122 | B6 | R134 | B5 | R156 | A6 | R167 | A6 |       |    |
| C105 | A3 | C122 | B6 | C137 | B4 | C165 | A6 | R004  | A5 | R112 | A2 | R124 | B4 | R135 | B5 | R135 | B5 | R168 | B6 |       |    |



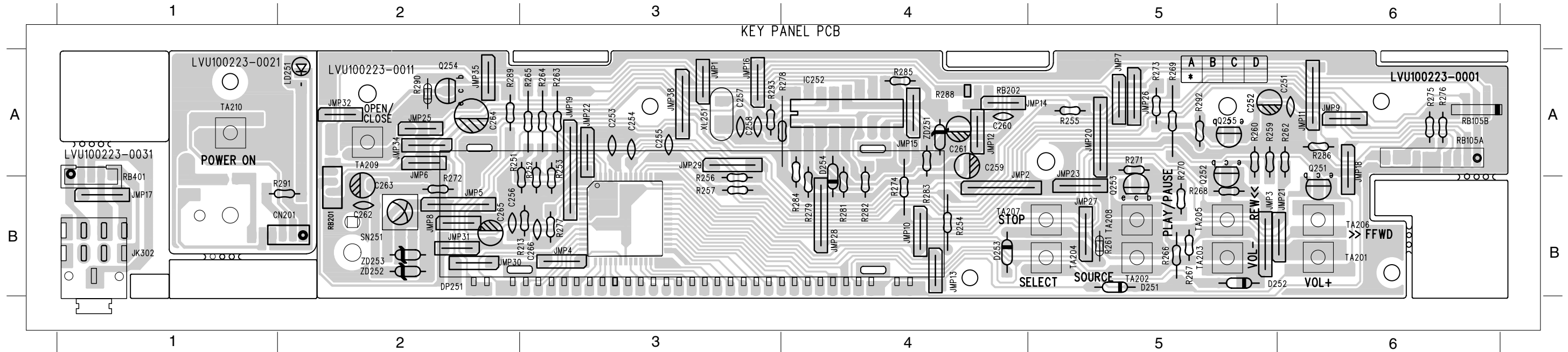
RGB CIRCUIT BOARD DIAGRAM

C187 A3    C183 B3    FB181 A2    JK182 B4    FB181 A1    ZD183 A4    ZD186 B2  
 C181 B3    C185 A3    FB182 B2    JK183 B4    ZD181 A3    ZD184 B2     
 C182 B3    C186 A3    FB183 B2    JK184 A4    ZD182 A4    ZD185 B3



KEY PANEL, PHONE JACK & POWER SW CIRCUIT BOARD DIAGRAMS

|      |    |       |    |       |    |      |    |      |    |      |    |      |    |        |    |       |    |       |    |       |    |       |    |       |    |       |    |
|------|----|-------|----|-------|----|------|----|------|----|------|----|------|----|--------|----|-------|----|-------|----|-------|----|-------|----|-------|----|-------|----|
| C251 | A6 | C260  | A4 | D251  | B5 | R252 | A3 | R262 | A6 | R271 | A5 | R282 | B4 | R294   | B1 | JMP2  | B4 | JMP11 | A6 | JMP20 | A5 | JMP30 | B2 | Q253  | B5 | TA207 | B4 |
| C252 | A5 | C261  | A4 | D252  | B5 | R253 | A3 | R263 | A3 | R272 | B2 | R283 | B4 | RB105A | A6 | JMP3  | B5 | JMP12 | A4 | JMP21 | A6 | JMP31 | B2 | Q254  | A2 | TA208 | B5 |
| C253 | A3 | C262  | B2 | D253  | B4 | R254 | B4 | R264 | B2 | R273 | A5 | R284 | B4 | RB105B | A6 | JMP4  | B3 | JMP13 | B4 | JMP22 | A3 | JMP32 | A2 | Q255  | A5 | TA209 | A2 |
| C254 | A3 | C263  | B2 | D254  | A4 | R255 | A5 | R265 | A3 | R274 | B4 | R285 | A4 | RB201  | B2 | JMP5  | B2 | JMP14 | A4 | JMP23 | B5 | JMP34 | A2 | TA201 | B6 | TA210 | A1 |
| C255 | A3 | C264  | A2 | DP251 | B2 | R256 | B3 | R266 | B5 | R275 | A6 | R286 | A6 | RB202  | A4 | JMP6  | A2 | JMP15 | A4 | JMP25 | A2 | JMP35 | A2 | TA202 | B5 | SN251 | B2 |
| C256 | B2 | C265  | B2 | ZD251 | A4 | R257 | B3 | R267 | B5 | R276 | A6 | R289 | A2 | RB401  | B1 | JMP7  | A5 | JMP16 | A3 | JMP26 | A5 | JMP38 | A3 | TA203 | B5 | XI251 | A3 |
| C257 | A3 | C266  | B3 | R213  | B3 | R259 | A5 | R268 | B5 | R277 | B3 | R291 | B2 | IC252  | A4 | JMP8  | B2 | JMP17 | B1 | JMP27 | B5 | JW30  | B2 | TA204 | B5 | ZD252 | B2 |
| C258 | A3 | C293  | A3 | R288  | A4 | R260 | A5 | R269 | A5 | R278 | A4 | R292 | A5 | JK302  | B1 | JMP9  | A6 | JMP18 | A6 | JMP28 | B4 | Q251  | B6 | TA205 | B5 | ZD253 | B2 |
| C259 | A4 | CN201 | B2 | R251  | A3 | R261 | B5 | R270 | B5 | R281 | B4 | R290 | A2 | JMP1   | A3 | JMP10 | B4 | JMP19 | A3 | JMP29 | A3 | Q252  | B5 | TA206 | B6 |       |    |





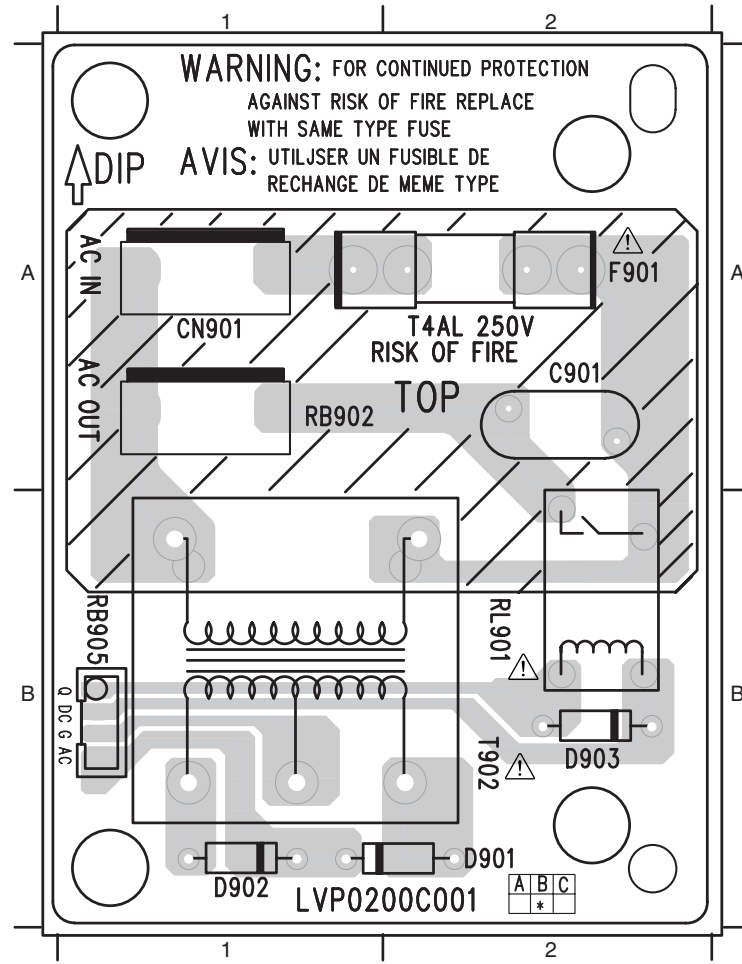






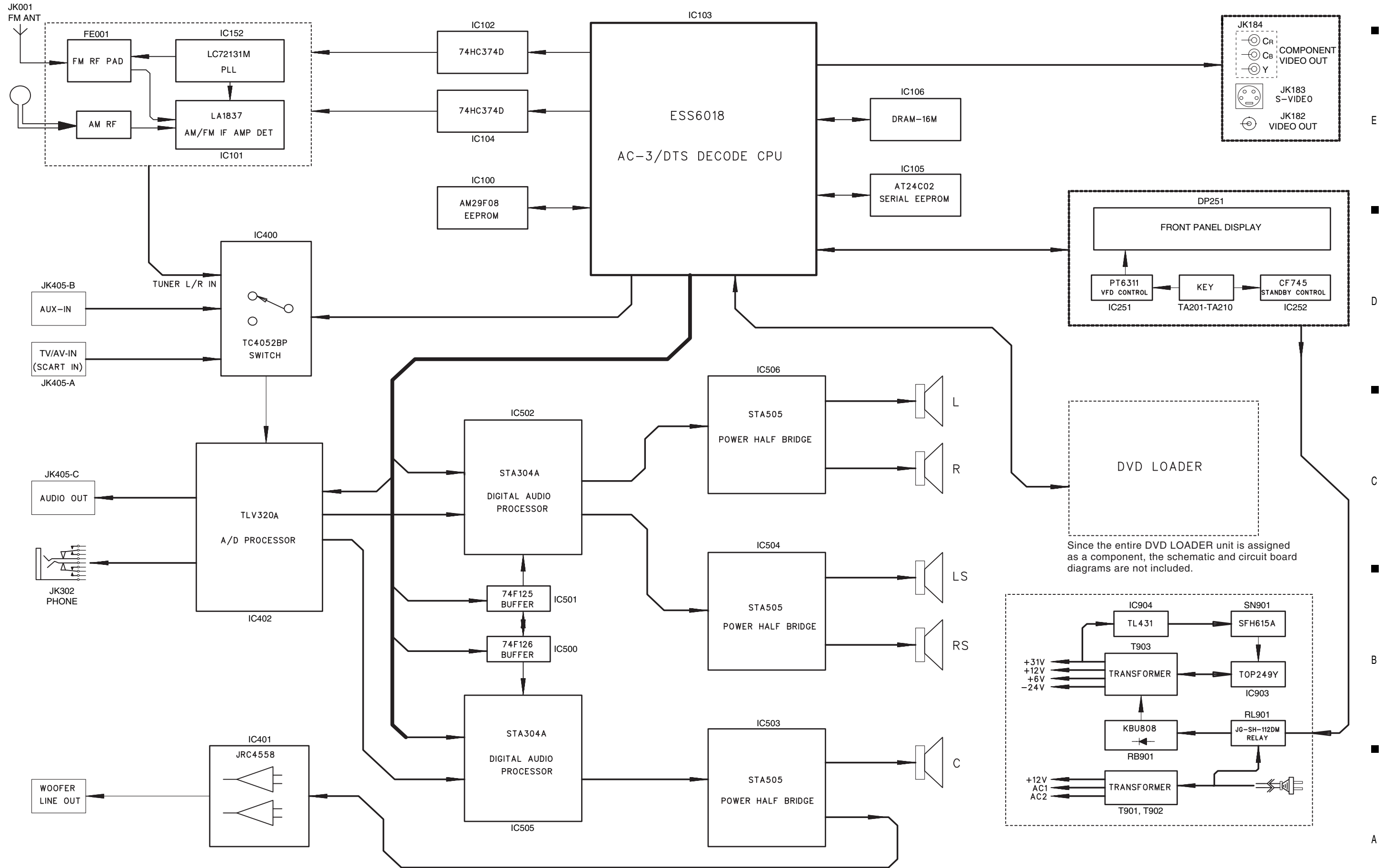


POWER CIRCUIT BOARD DIAGRAM

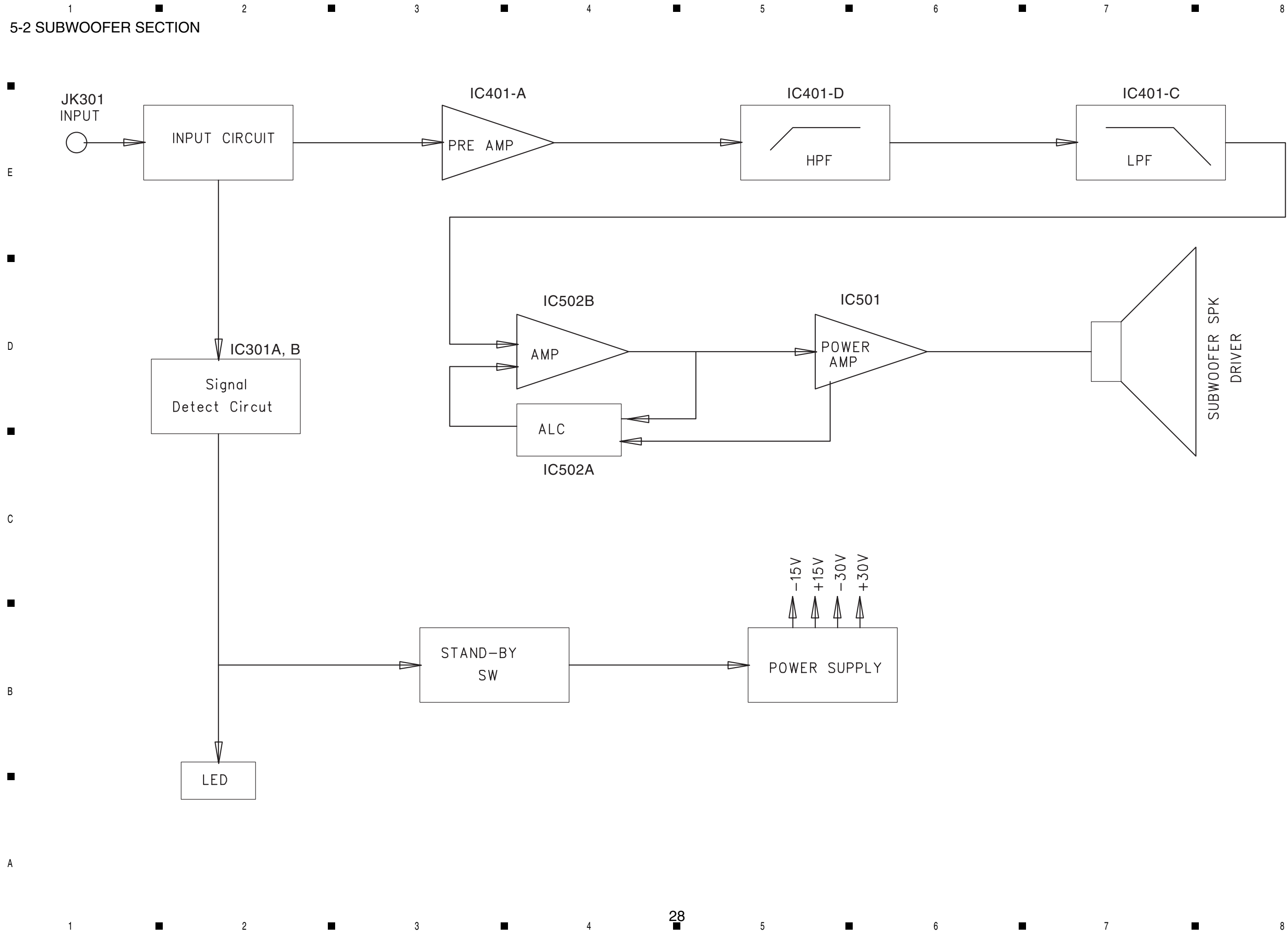


- C901 A2
- CN901 A1
- D901 B2
- D902 B1
- D903 B2
- F901 A2
- RB902 B1
- RB905 B1
- RL901 B2
- T902 B2

5 BLOCK DIAGRAMS  
5-1 MAIN UNIT SECTION



5-2 SUBWOOFER SECTION



# HITACHI